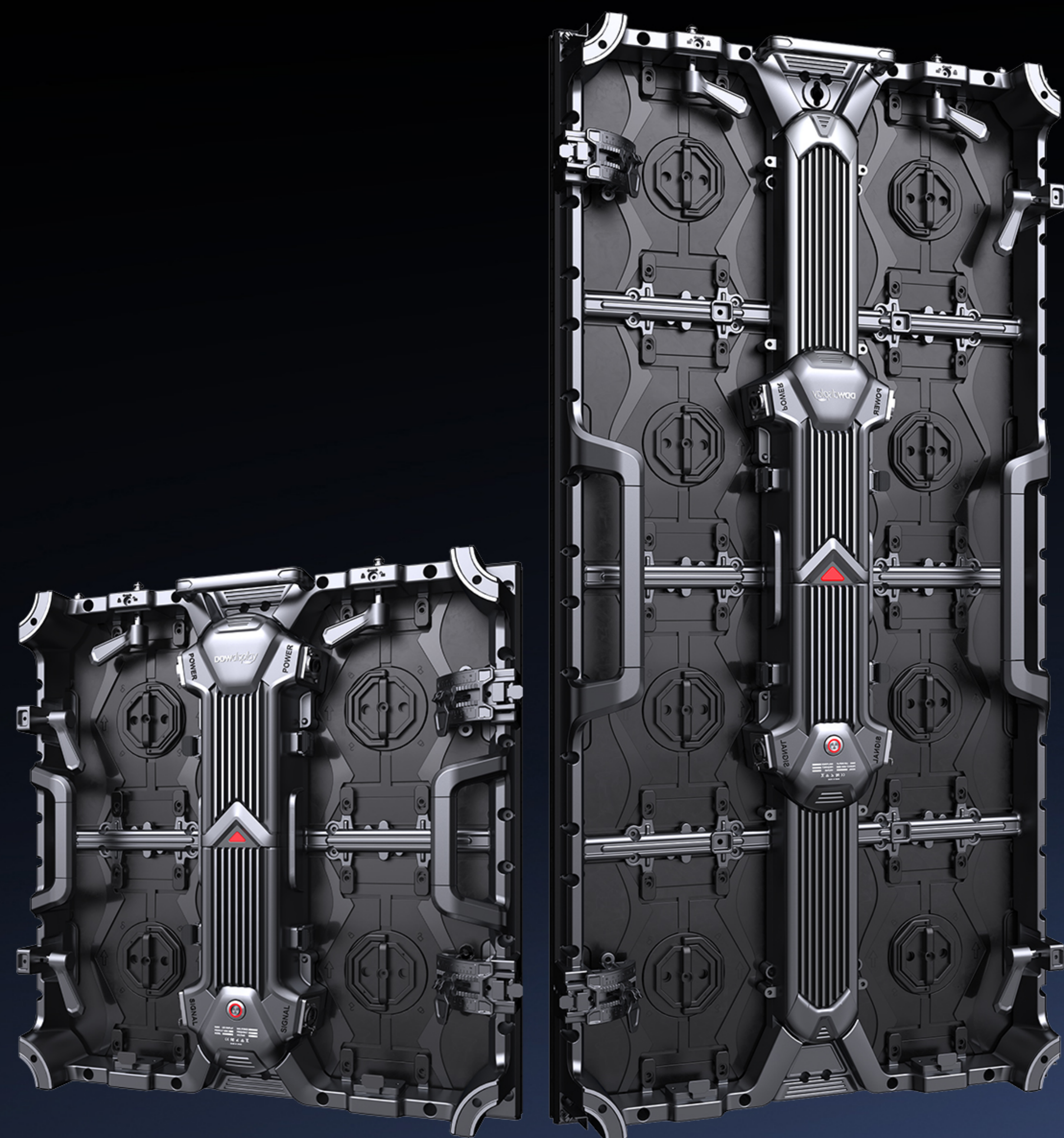


RENTAL LED SCREEN

A SERIES





A SERIES

Pixel Pitch: P1.56 P1.95 P2.604 P2.97 P3.91 (indoor)
P2.604 P2.976 P3.91 (outdoor)

Cabinet size: 500*500/500*1000mm

Module size: 250*250mm

Cabinet Weight: 7.5kg/13kg

Brightness: 600-800cd/m²(indoor) 4500-5000cd/m²(outdoor)

Refresh rate: ≥3840Hz



IP65 Waterproof



Curved & Right Angle Available



5000nits High Brightness



Front Rear Maintenance

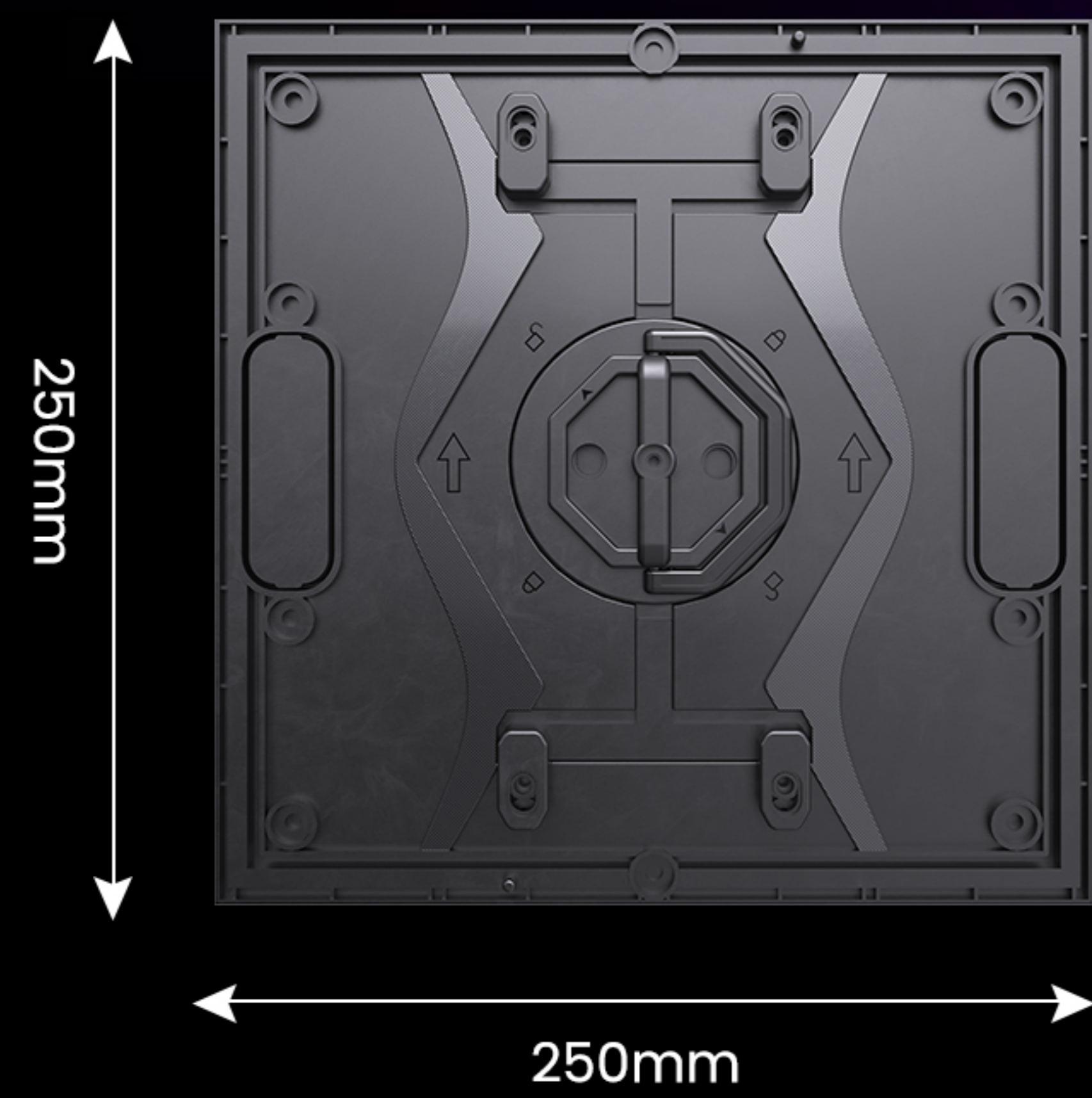


Strong Compatibility

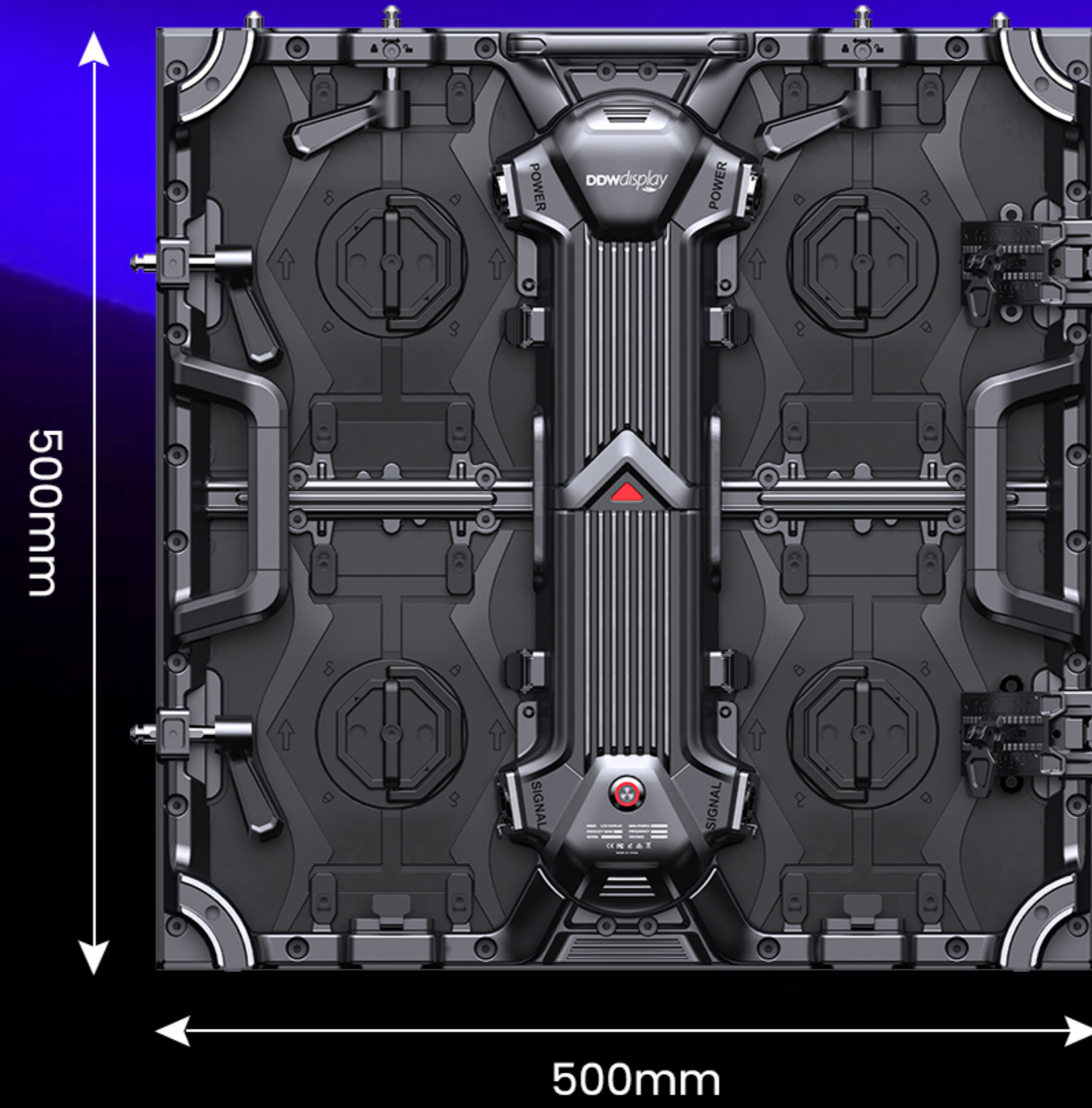


Easy and fast installation

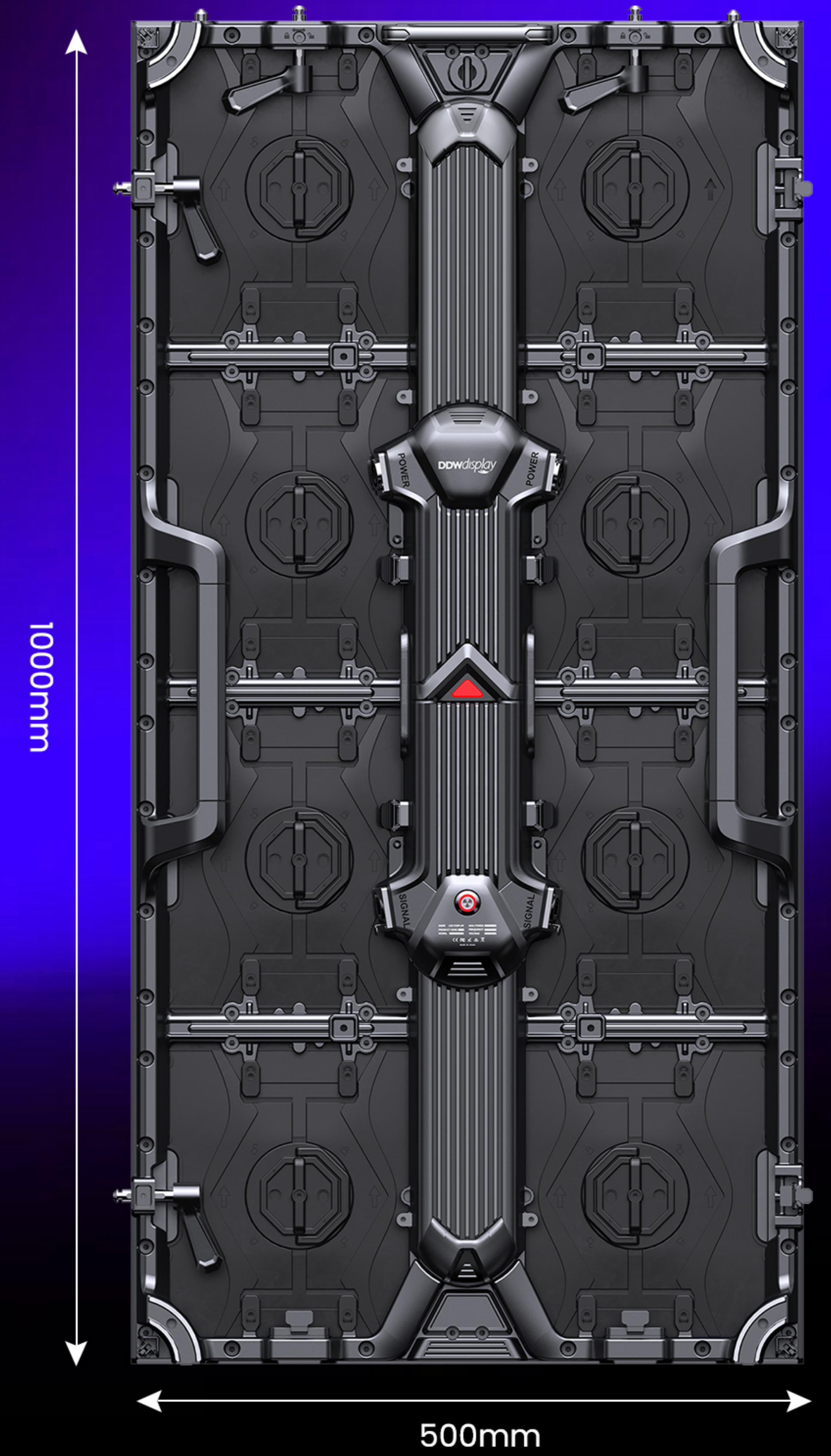
CABINET DIAGRAM



250x250mm
Module size



500x500mm
Cabinet size



500x1000mm
Cabinet size

SPECIFICATIONS

Specs \ Applications	INDOOR 500*500/1000(mm)					OUTDOOR 500*500/1000(mm)		
Pixel Pitch	P1.56	P1.95	P2.604	P2.976	P3.91	P2.604	P2.976	P3.91
LED Type	SMD1212	SMD1515	SMD1515	SMD1515	SMD2121	SMD1515	SMD1415	SMD1921
Physical Density (Dot/m ²)	409600	262144	147474	112896	65410	147474	112896	65410
Module Resolution	160x160	128x128	96x96	84x84	64x64	96x96	84x84	64x64
Module Size (WxH)	250x250mm					250x250mm		
Panel Dimension (WxHxD)	500x500/500x1000mm					500x500/500x1000mm		
Panel Resolution (Dot/m ²)	320x320	256x256	192x192	192x192	128x128	192x192	168x168	128x128
Module Qty per Cabinet	2x2/2x4					2x2/x24		
Panel Weight	7.5/13kg					7.5/13kg		
Grey Level	14-16bit					14-16bit		
Maintenance Mode	Front/ Rear Maintenance					Front/ Rear Maintenance		
Cabinet Frame	Die-casting Aluminum					Die-casting Aluminum		
Brightness	600-800 cd/m ²					4500-5000cd/m ²		
Viewing Angle	160°/140°					160°/140°		
Refresh Rate	≥3840Hz					≥3840Hz		
Contrast Ratio	≥5000:1					≥5000:1		
Frame Frequency	50/60Hz					50/60Hz		
Drving Mode	1/40 scan	1/32 scan	1/32 scan	1/28 scan	1/16scan	1/16 scan	1/16 scan	1/16 scan
Protection Degree	IP31					IP65		
Maximum Power Consumption	800w/m ²					800w/m ²		
Average Power Consumption	200-300w/m ²					200-300w/m ²		

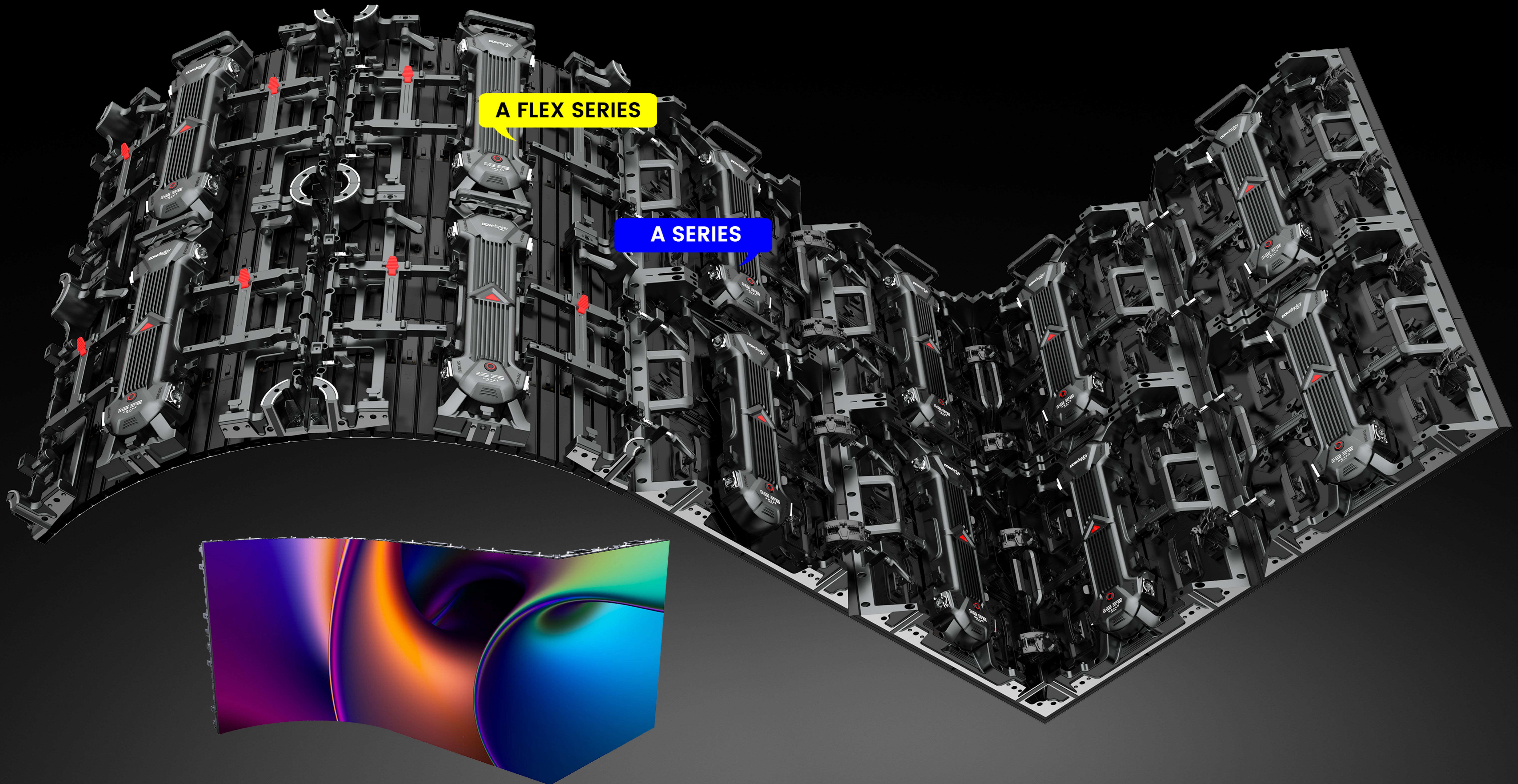
HD DISPLAY

The picture is clear, the colors are bright, there is no ghosting or flickering, and it is suitable for stage performances and live broadcast applications.



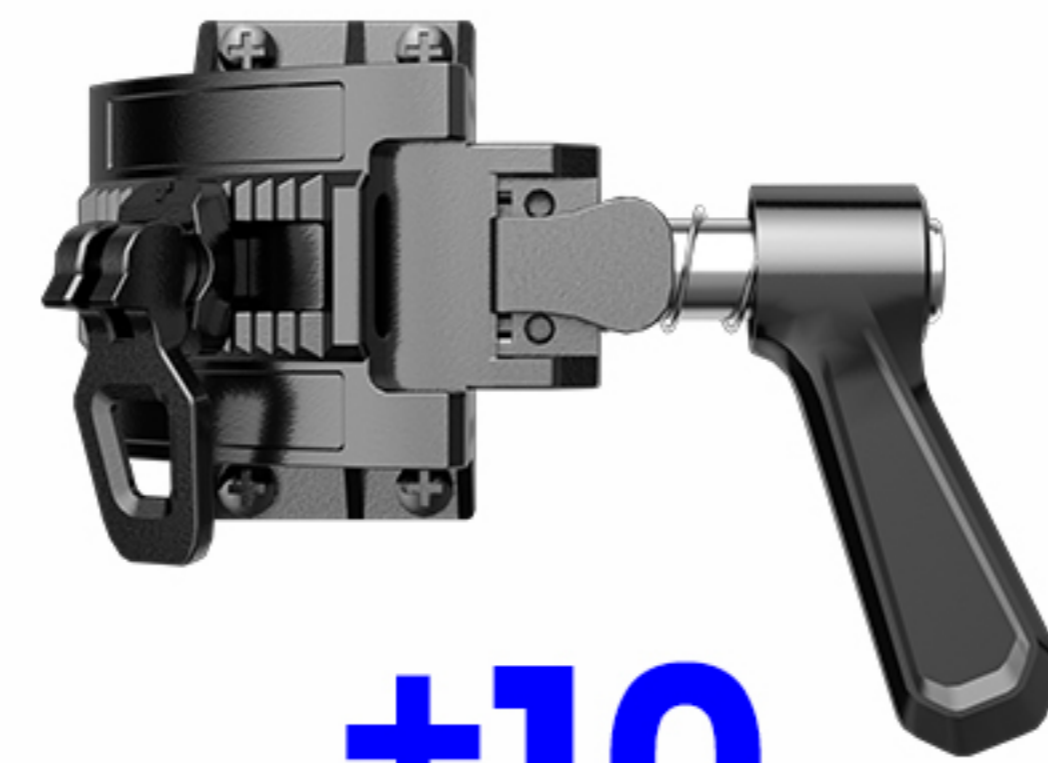
STRONG COMPATIBILITY

Support A FLEX-series cabinet type splicing to achieve seamless integration



CURVED SHAPE

Exclusive customized buckle lock, can help design various curved shapes.

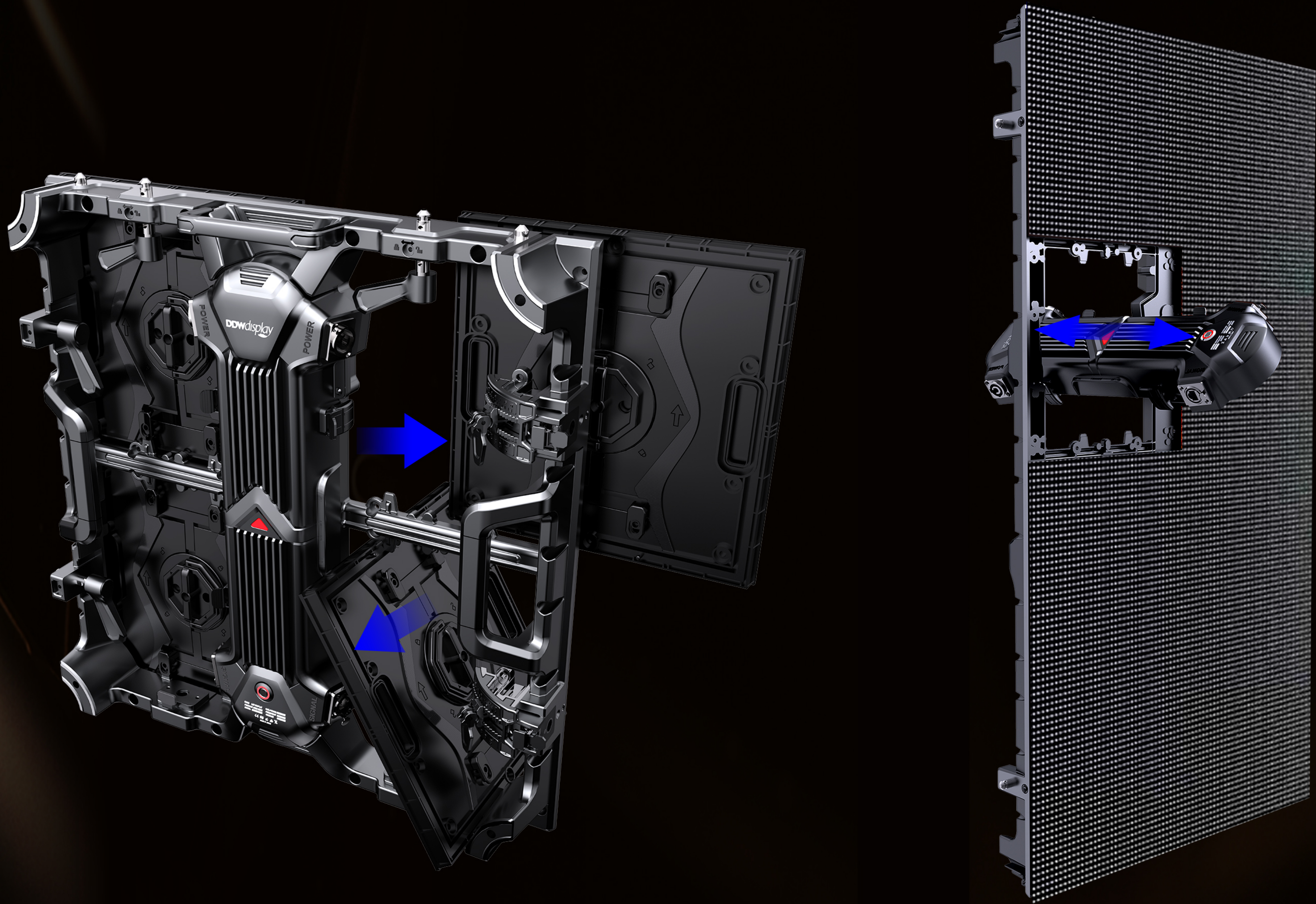


±10
Arc lock



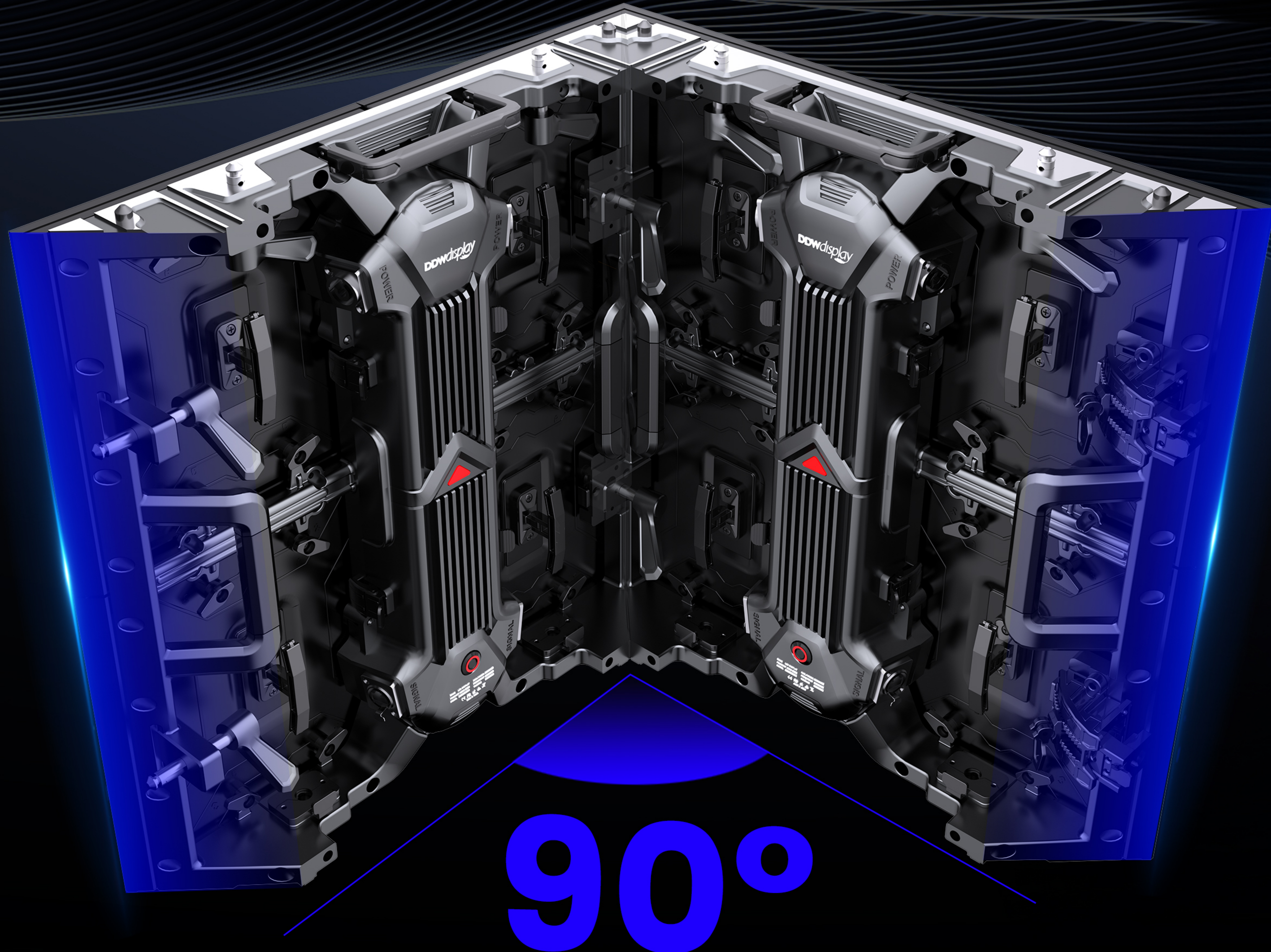
FRONT AND REAR MAINTENANCE

Adopts module magnetic design, supports front and back maintenance easy to assemble and disassemble for both indoor and outdoor conditions.



90 ° SPLICING INSTALLATION

Customizable 45° beveled cabinet, two cabinets can be directly assembled at a 90 degree angle, right angle is so easy.



IP65 WATERPROOF

IP65 waterproof, corrosion-resistant, dust-proof, high temperature resistant.

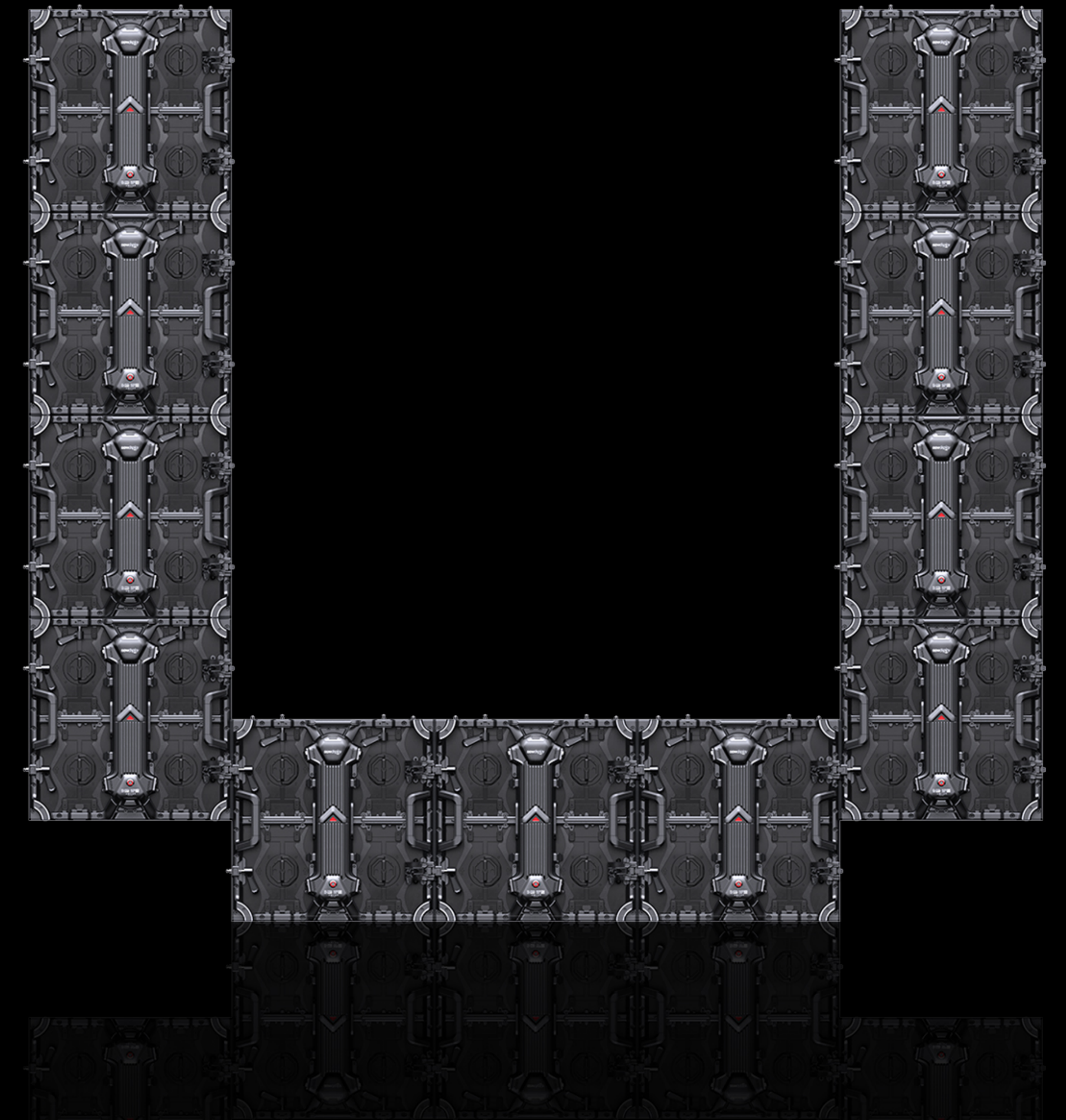
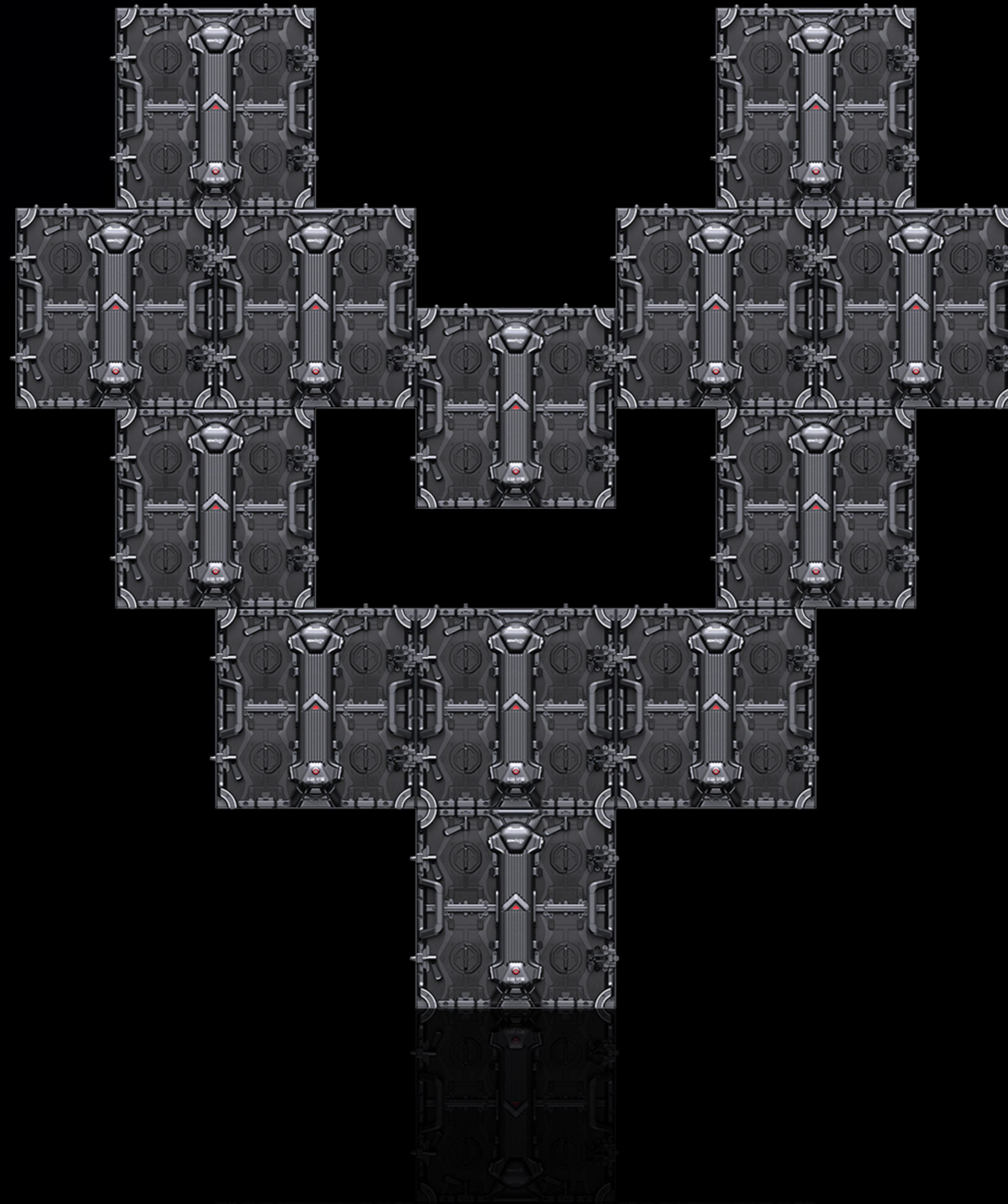
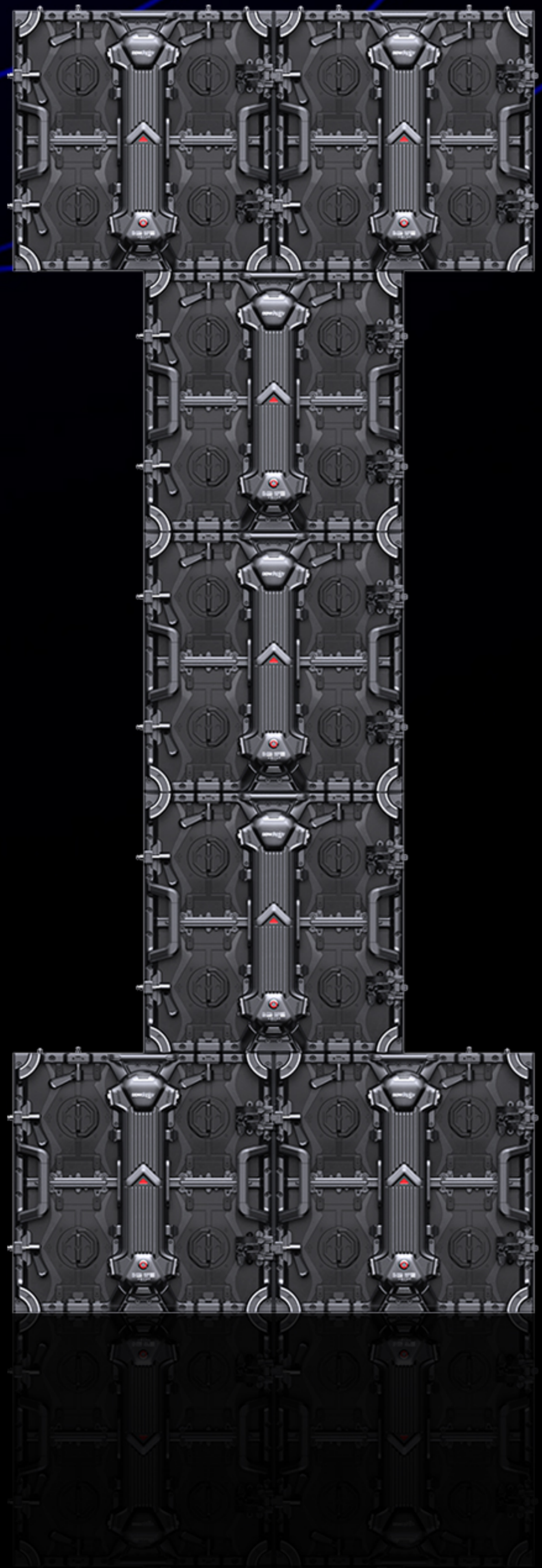
IP65



WATERPROOF

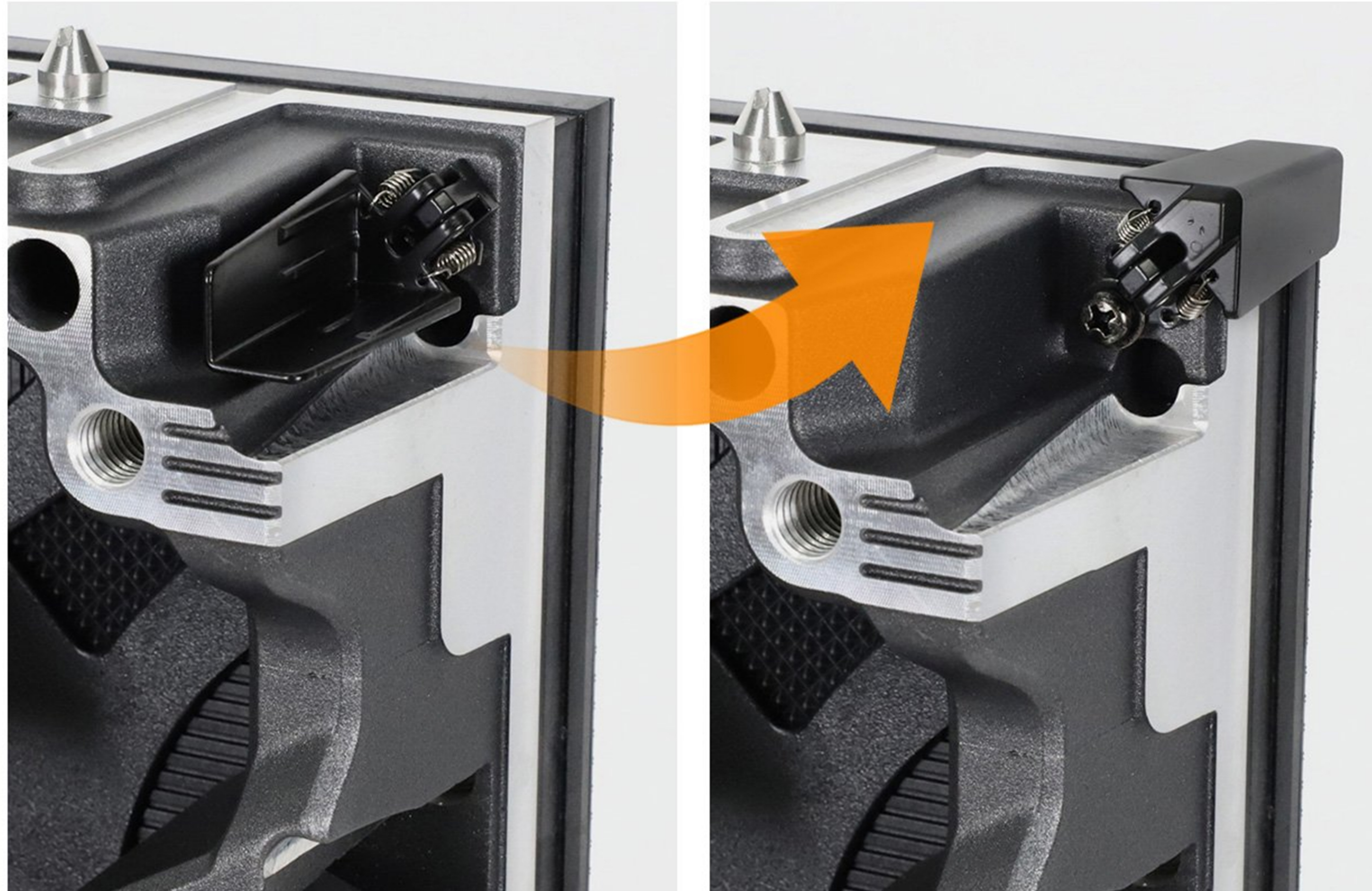
CREATIVE INSTALLATION

Can realize dislocation splicing to easily build various creative shapes



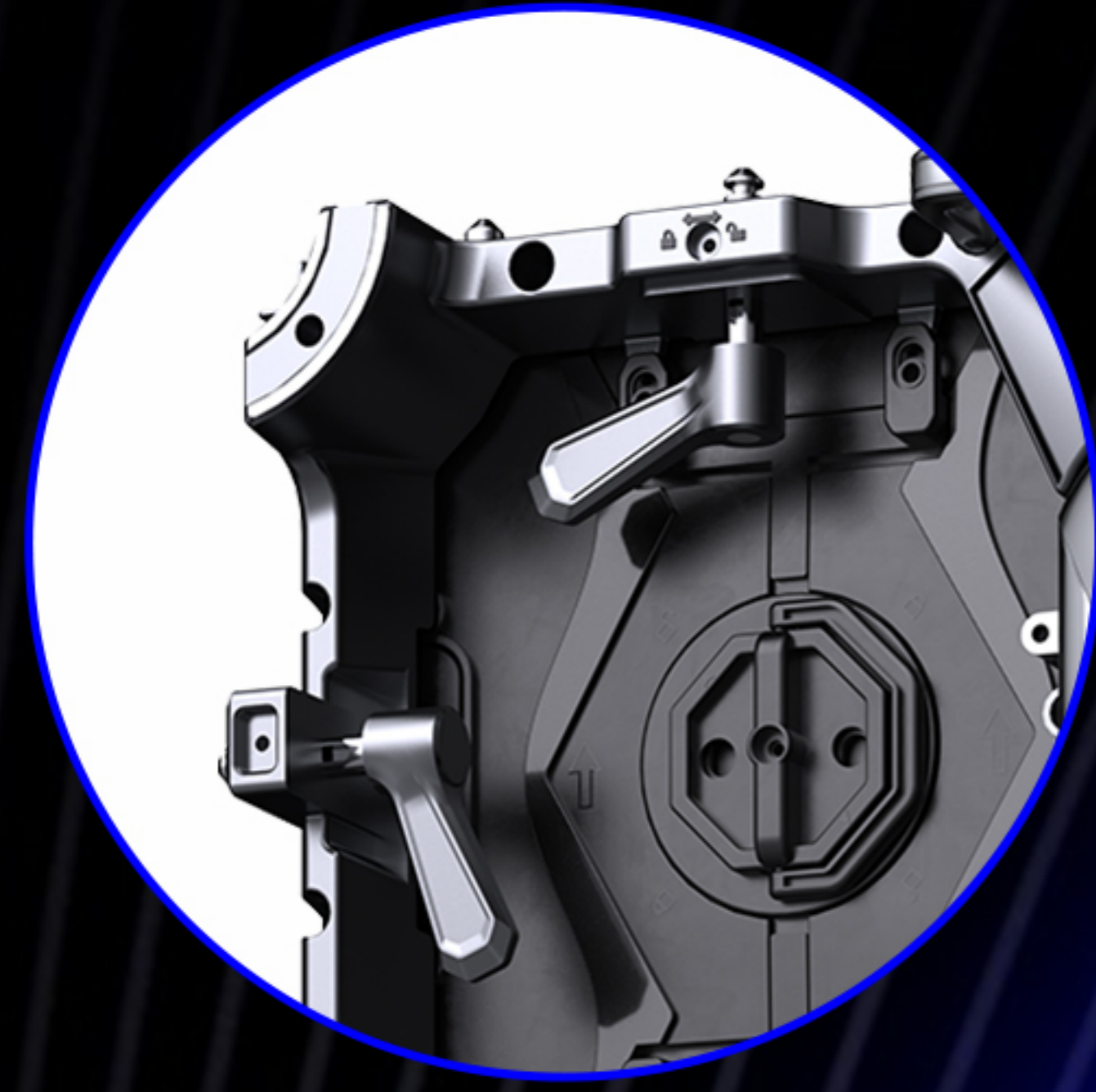
CORNER PROTECTION DESIGN

Rental LED display is designed with four corner guards to effectively prevent damage to the LED during transportation, installation, operation and disassembly.

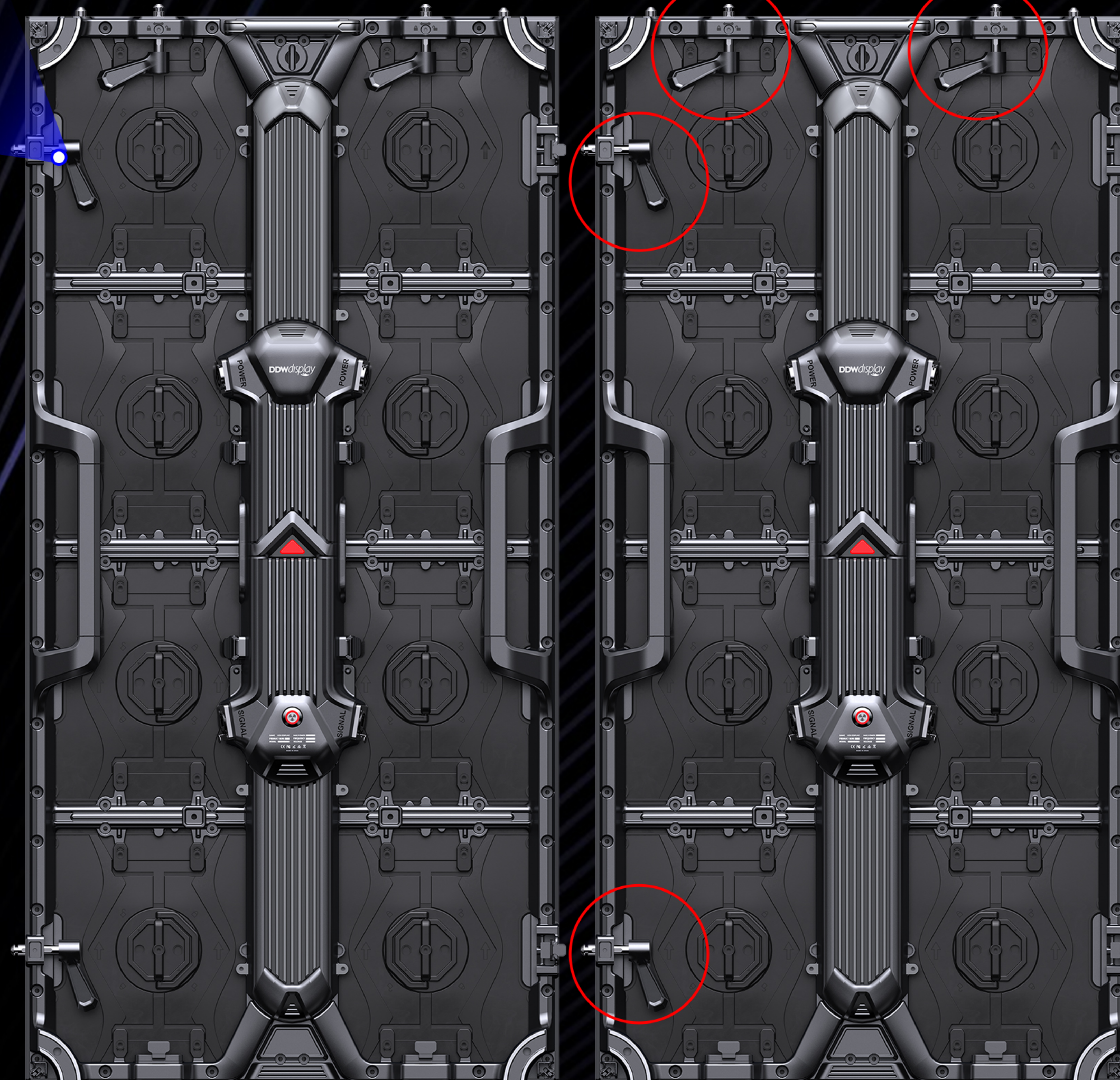


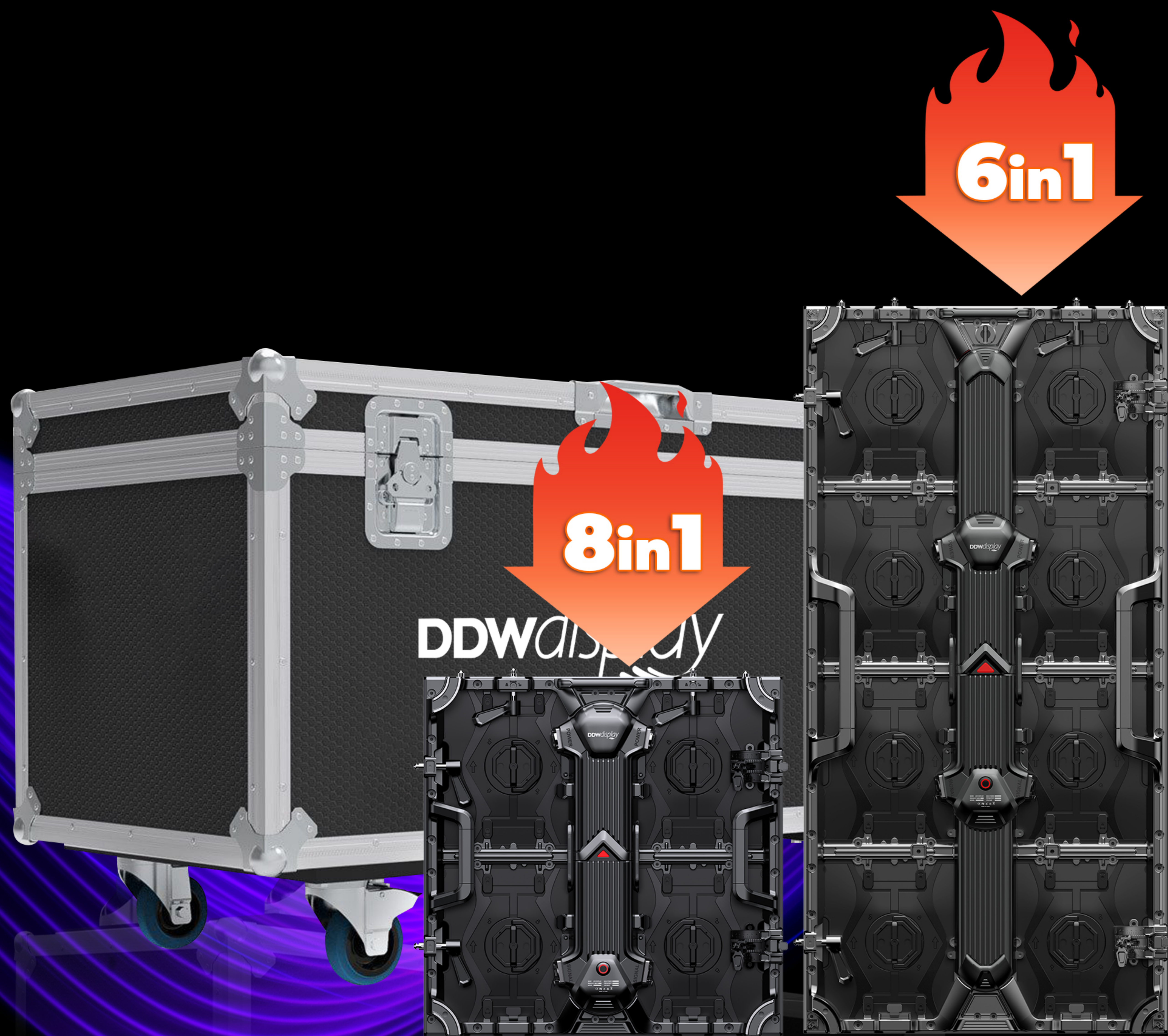
QUICK INSTALL

The cabinet is equipped with four quick locks to support single-person simple and fast installation



Quick lock





FLIGHT CASE

Cabinet size	500x500mm
Flight case size	879x714x510mm
Package	8in1
Gross weigh	85kg

Cabinet size	500x1000mm
Flight case size	879x714x510mm
Package	6in1
Gross weigh	113kg

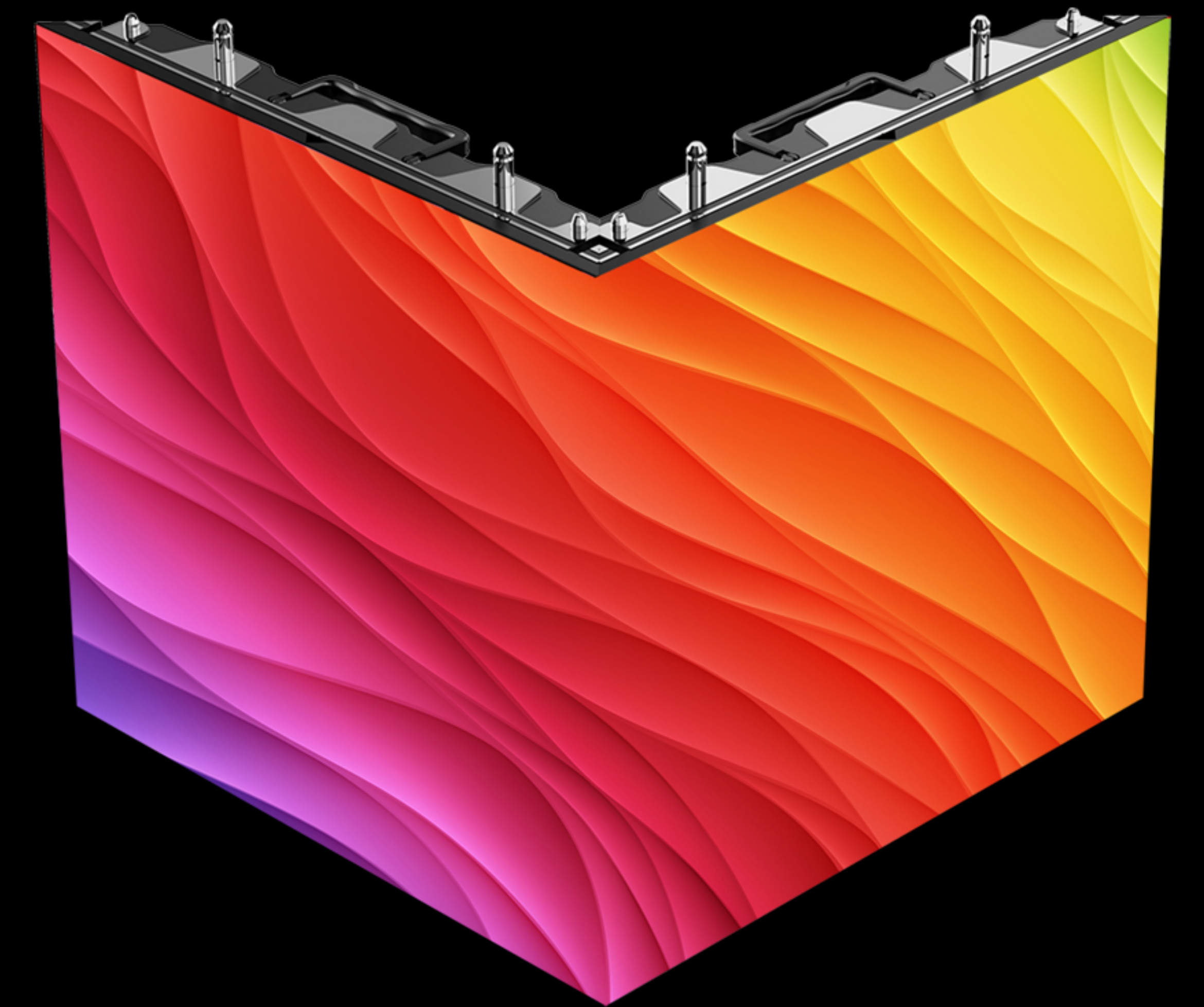
TYPICAL INSTALLATIONS



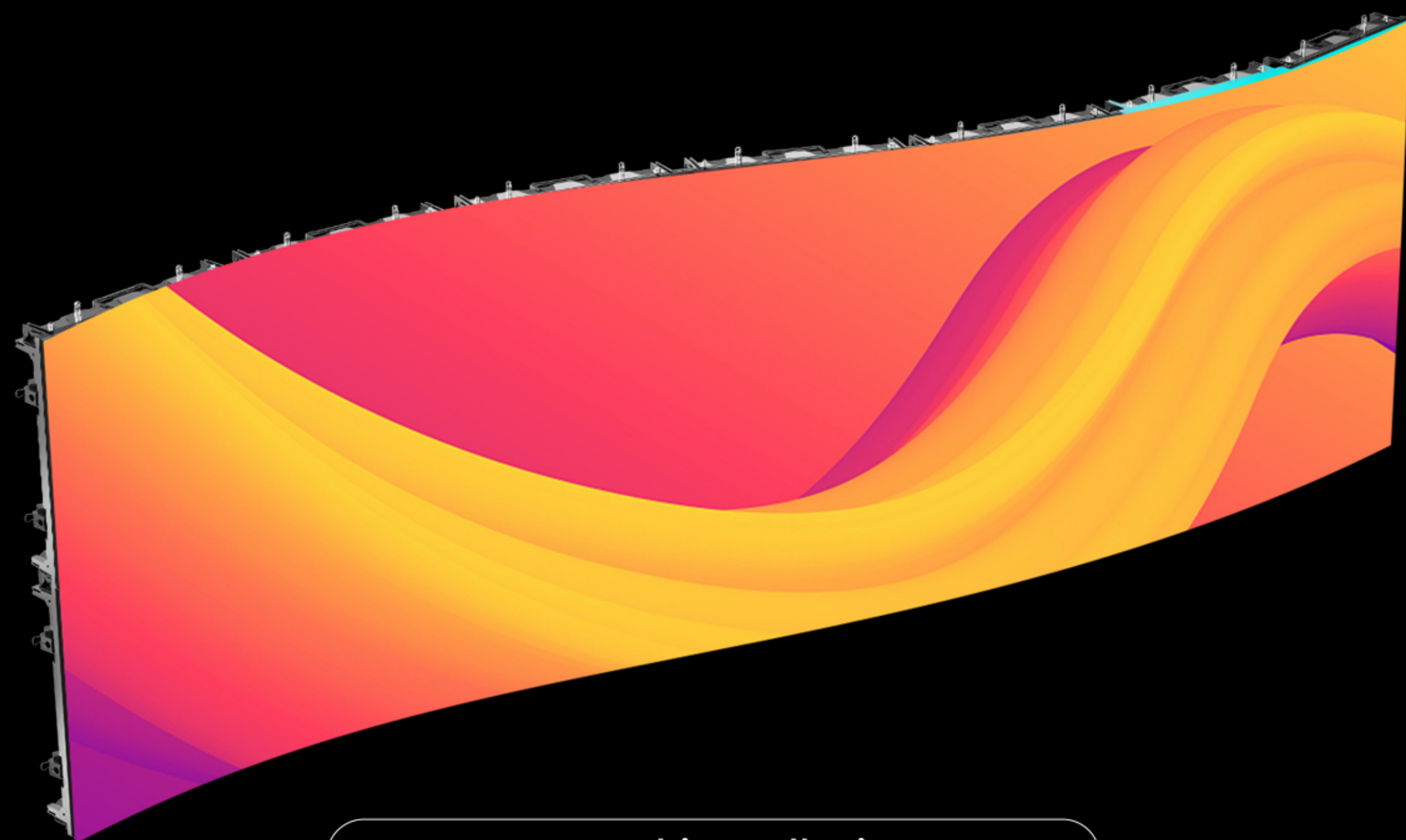
Stand bracket installation



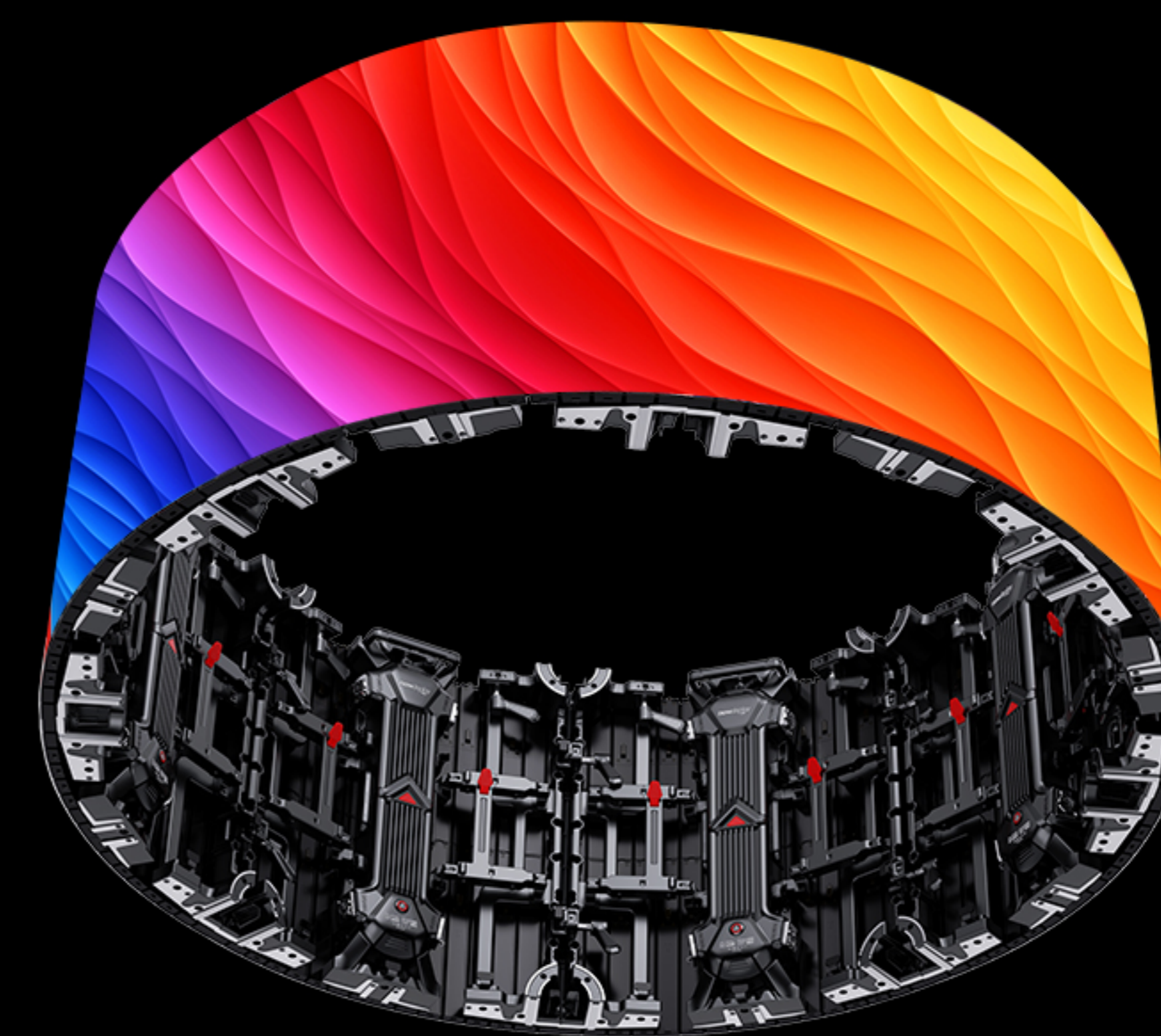
Hanging installation



Right angle installation



Curved installation



Inner arc/outer arc installation

APPLICATIONS



CERTIFICATE



5 YEARS WARRANTY

Common warranty in LED field is 2 years, ours is 5
Longer warranty periods, better after-sale services
worry-free user experience



OEM&ODM

1000+
Projects

5 days
Fast delivery



Door to door

3D

Installation video



Sample support



CONTACT US

SHENZHEN DDW TECHNOLOGY CO.,LTD



86 755 23229716



86 134 17558100



www.ddw.net



info@ddw.net



2F Building 8, YiLisheng Industry Park, Fuyong
Baoan District, Shenzhen,518103