

RENTAL LED SCREEN

A SERIES





A SERIES

Pixel Pitch: P1.95 P2.604 P2.97 P3.91 P4.81(indoor)
P2.976 P3.91 P4.81(outdoor)

Cabinet size:500*500/500*1000mm

Module size:250*250mm

Cabinet Weight:7.5kg(indoor)/13(outdoor)kg

Brightness:600-800cd/m²(indoor) 4500-5000cd/m²(outdoor)

Refresh rate:≥3840Hz



IP65 Waterproof



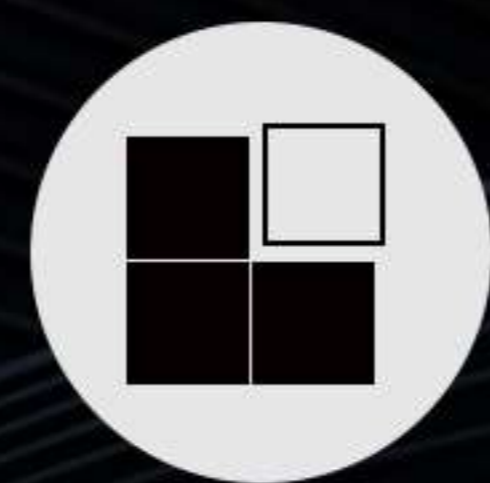
Curved & Right Angle Available



5000nits High Brightness



Front Rear Maintenance

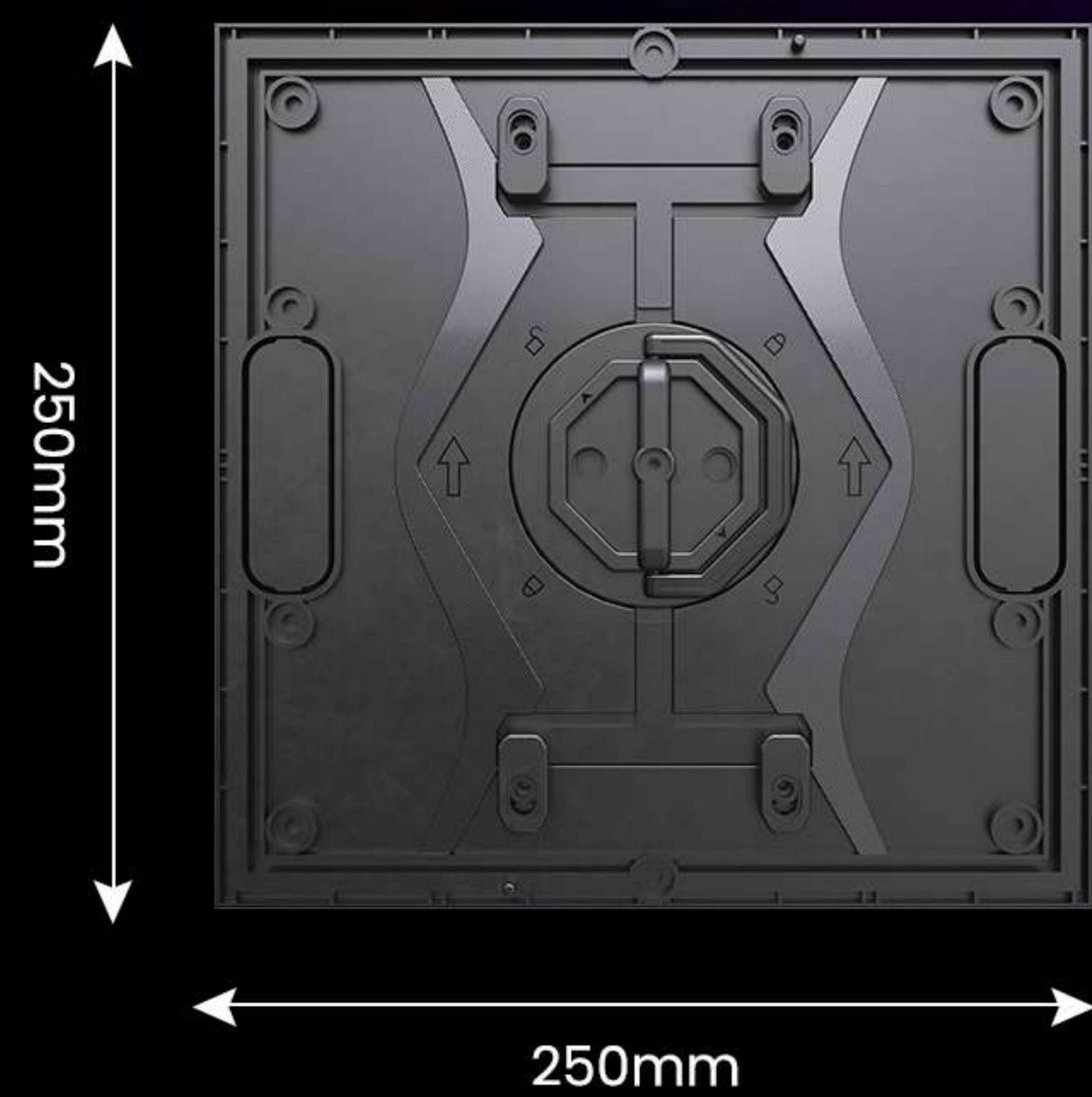


Strong Compatibility

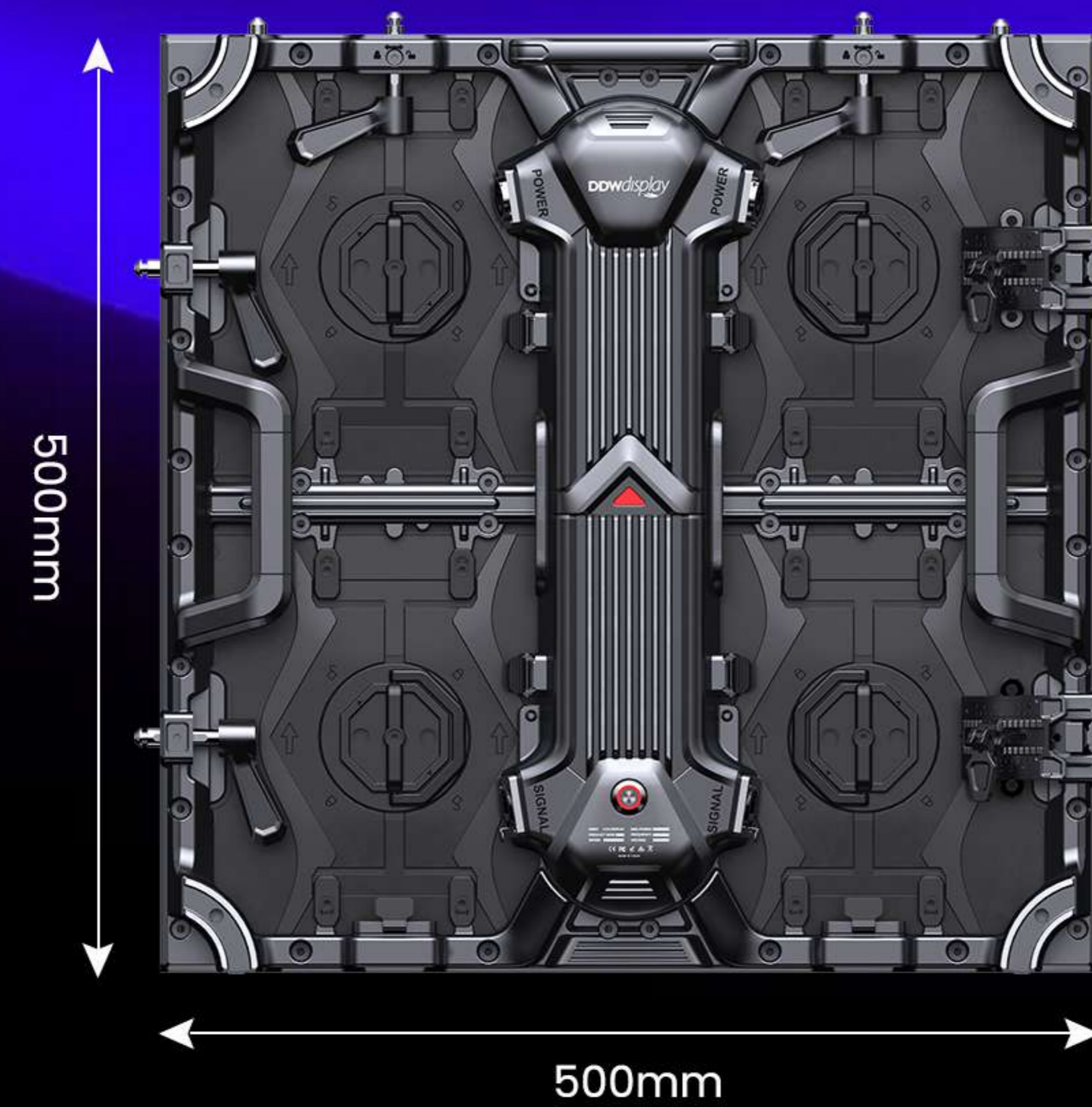


Easy and fast installation

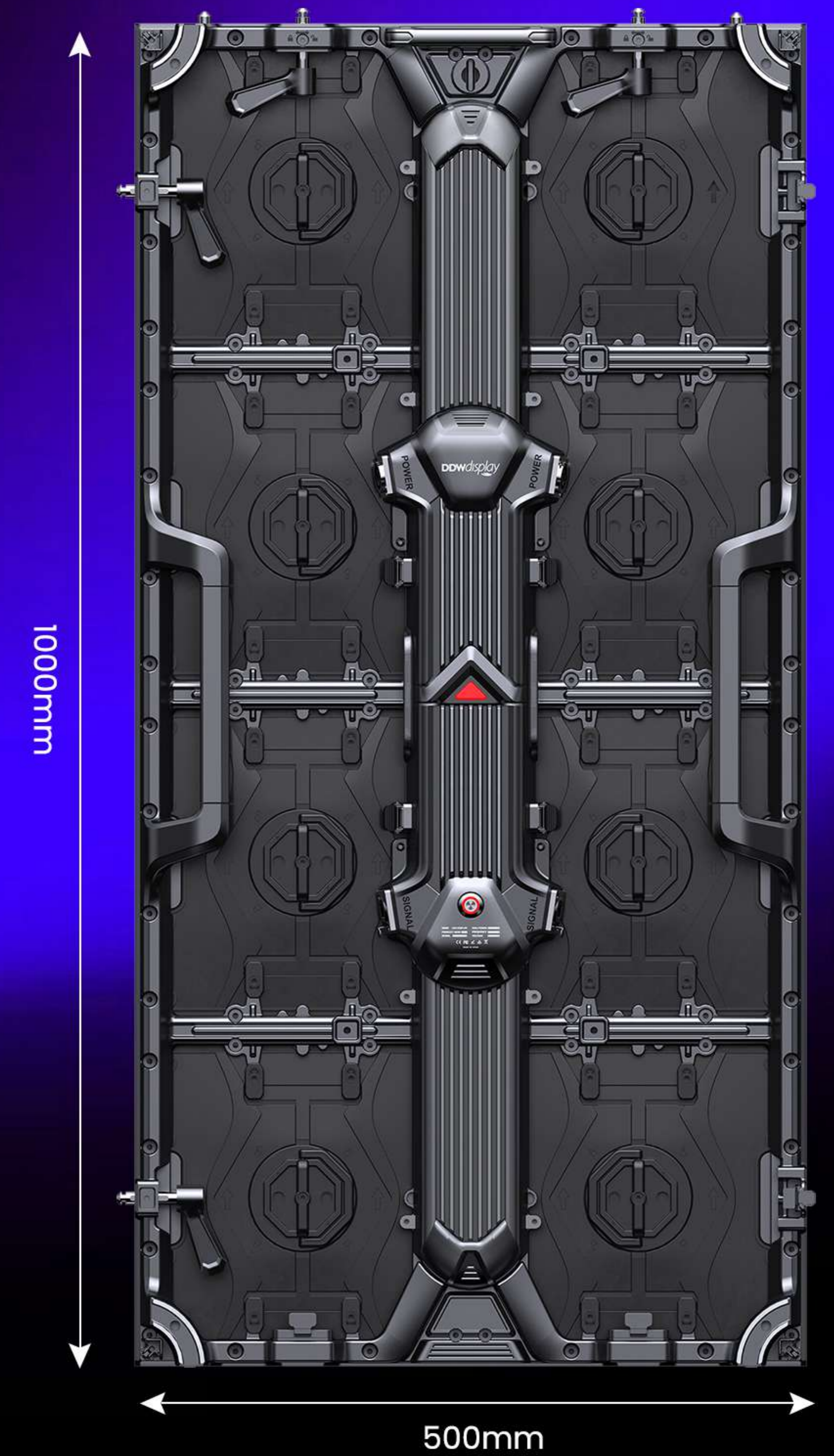
CABINET DIAGRAM



250x250mm
Module size



500x500mm
Cabinet size



500x1000mm
Cabinet size

SPECIFICATIONS

Specs \ Applications	INDOOR 500*500/1000(mm)				OUTDOOR 500*500/1000(mm)	
Pixel Pitch	P1.95	P2.604	P2.976	P3.91	P3.91	P4.81
LED Type	SMD1515	SMD1515	SMD1515	SMD2121	SMD1921	SMD1921
Physical Density (Dot/m ²)	262144	147456	112896	65536	65400	65400
Module Resolution	128x128	96x96	84x84	64x64	64x64	52x52
Module Size (WxH)	250x250mm				250x250mm	
Panel Dimension (WxHxD)	500x500/500x1000mm				500x500/500x1000mm	
Panel Resolution (Dot/m ²)	256x256	192x192	192x192	128x128	128x128	104x104
Module Qty per Cabinet	2x2/2x4				2x2/x24	
Panel Weight	7.5/13kg				7.5/13kg	
Grey Level	14-16bit				14-16bit	
Maintenance Mode	Front/ Rear Maintenance				Front/ Rear Maintenance	
Cabinet Frame	Die-casting Aluminum				Die-casting Aluminum	
Brightness	600-800 cd/m ²				4500-5000cd/m ²	
Viewing Angle	160°/140°				160°/140°	
Refresh Rate	≥3840Hz				≥3840Hz	
Contrast Ratio	≥5000:1				≥5000:1	
Frame Frequency	50/60Hz				50/60Hz	
Drving Mode	1/32 scan	1/32 scan	1/28 scan	1/16scan	1/16 scan	1/13 scan
Protection Degree	IP31				IP65	
Maximum Power Consumption	800w/m ²				800w/m ²	
Average Power Consumption	200-300w/m ²				200-300w/m ²	

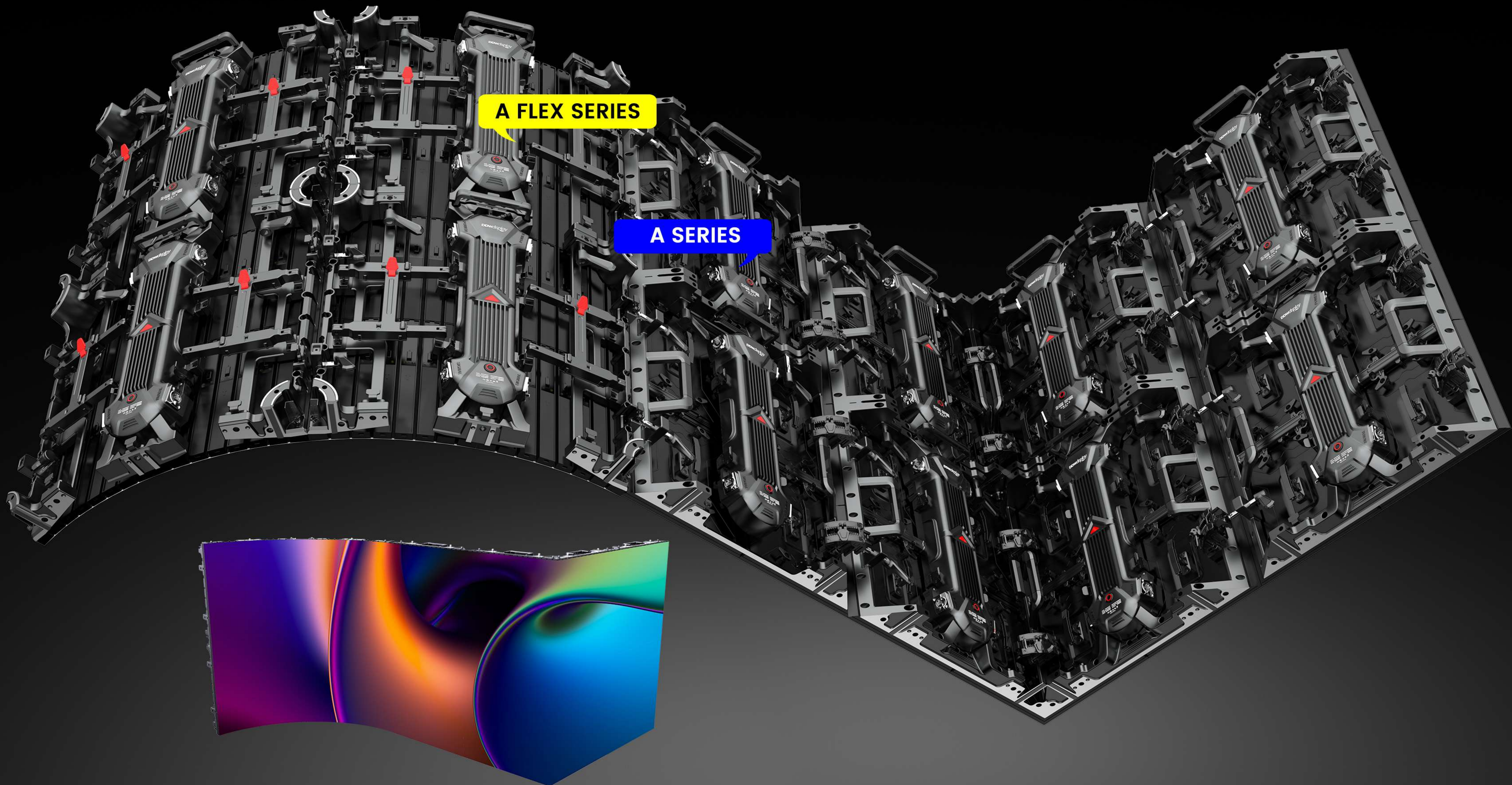
HD DISPLAY

The picture is clear, the colors are bright, there is no ghosting or flickering, and it is suitable for stage performances and live broadcast applications.



STRONG COMPATIBILITY

Support A FLEX-series cabinet type splicing to achieve seamless integration



CURVED SHAPE

Exclusive customized buckle lock, can help design various curved shapes.

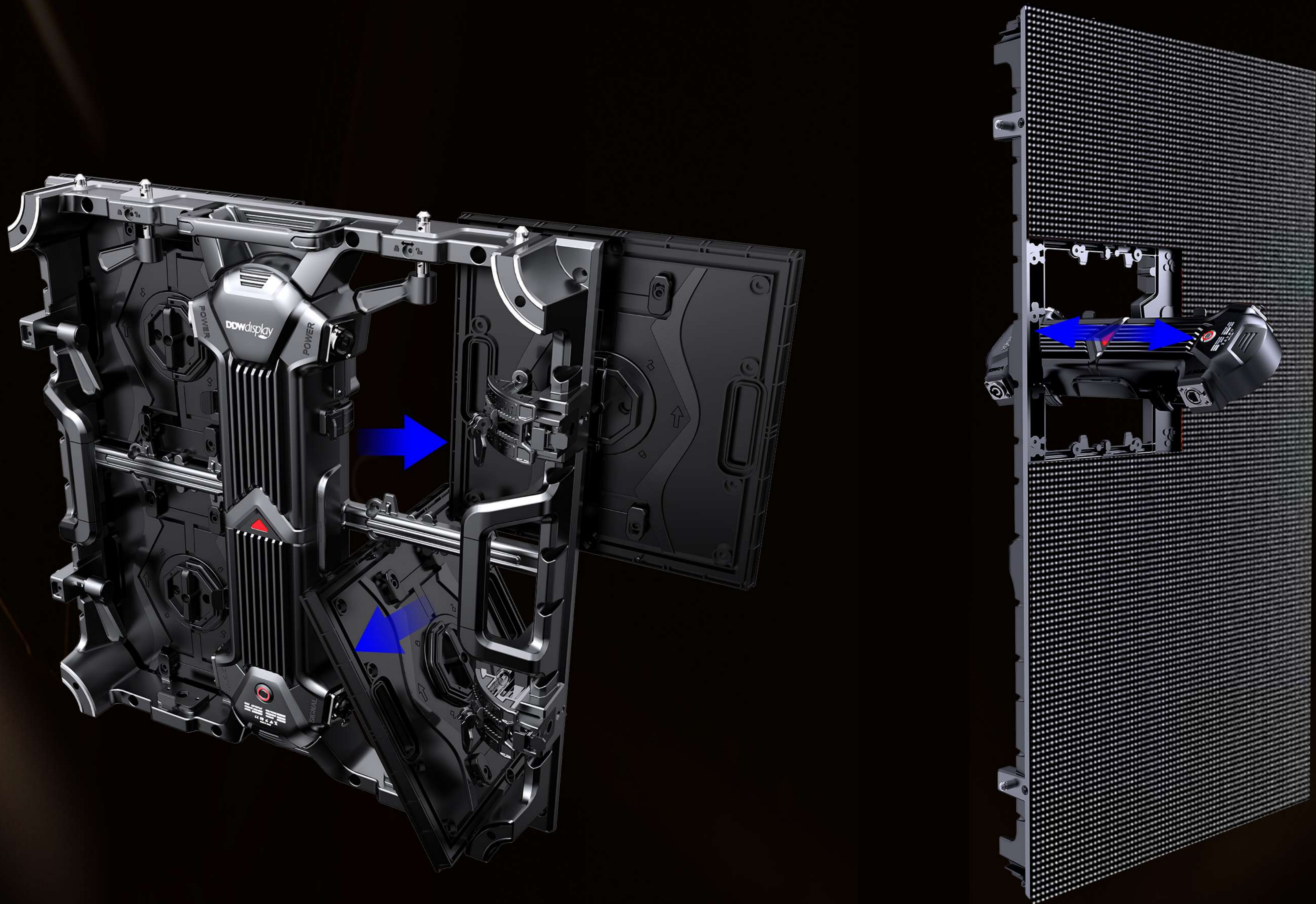


±10
Arc lock



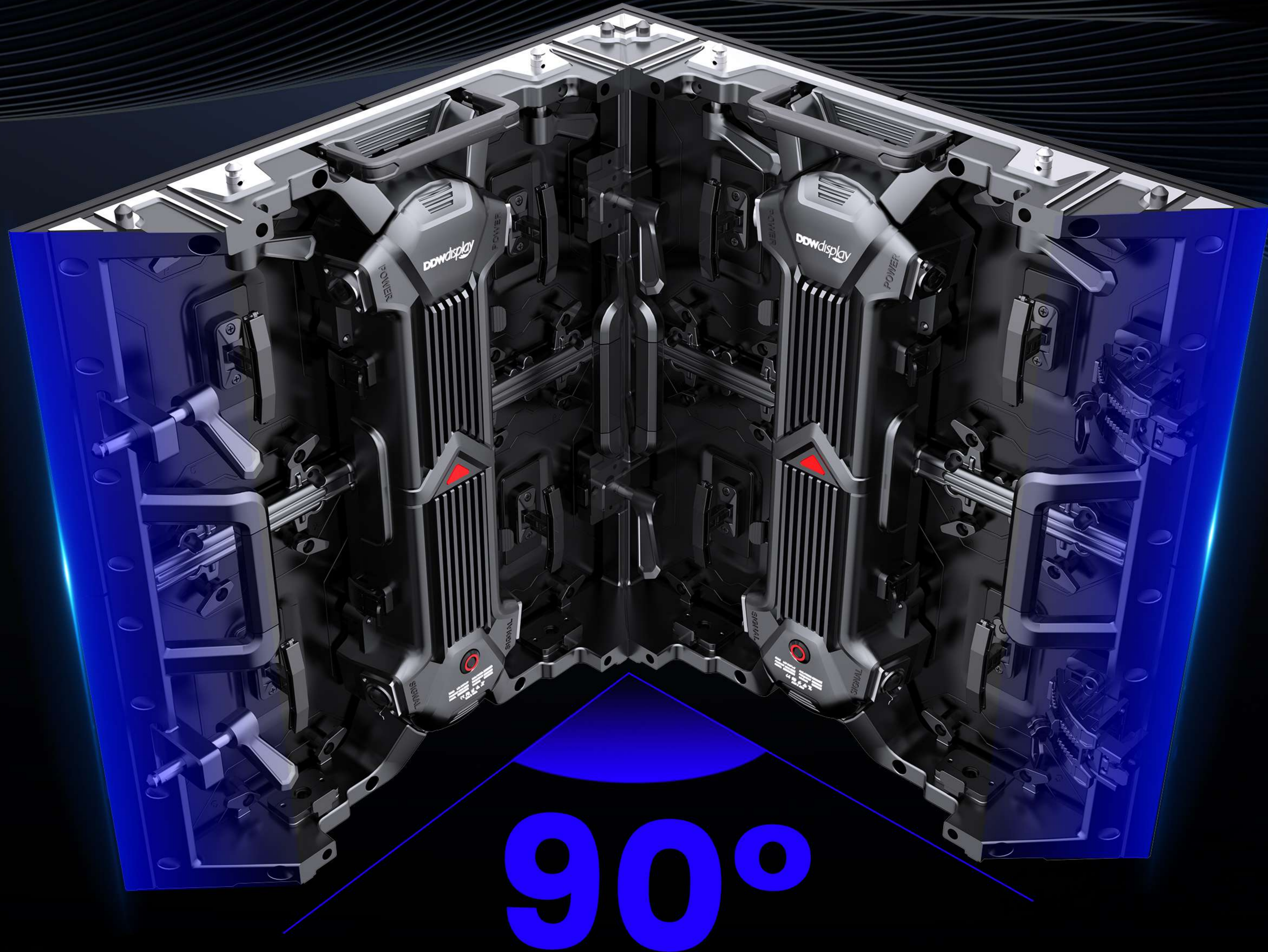
FRONT AND REAR MAINTENANCE

Adopts module magnetic design, supports front and back maintenance easy to assemble and disassemble for both indoor and outdoor conditions.



90 ° SPLICING INSTALLATION

Customizable 45° beveled cabinet, two cabinets can be directly assembled at a 90 degree angle, right angle is so easy.



IP65 WATERPROOF

IP65 waterproof, corrosion-resistant, dust-proof, high temperature resistant.

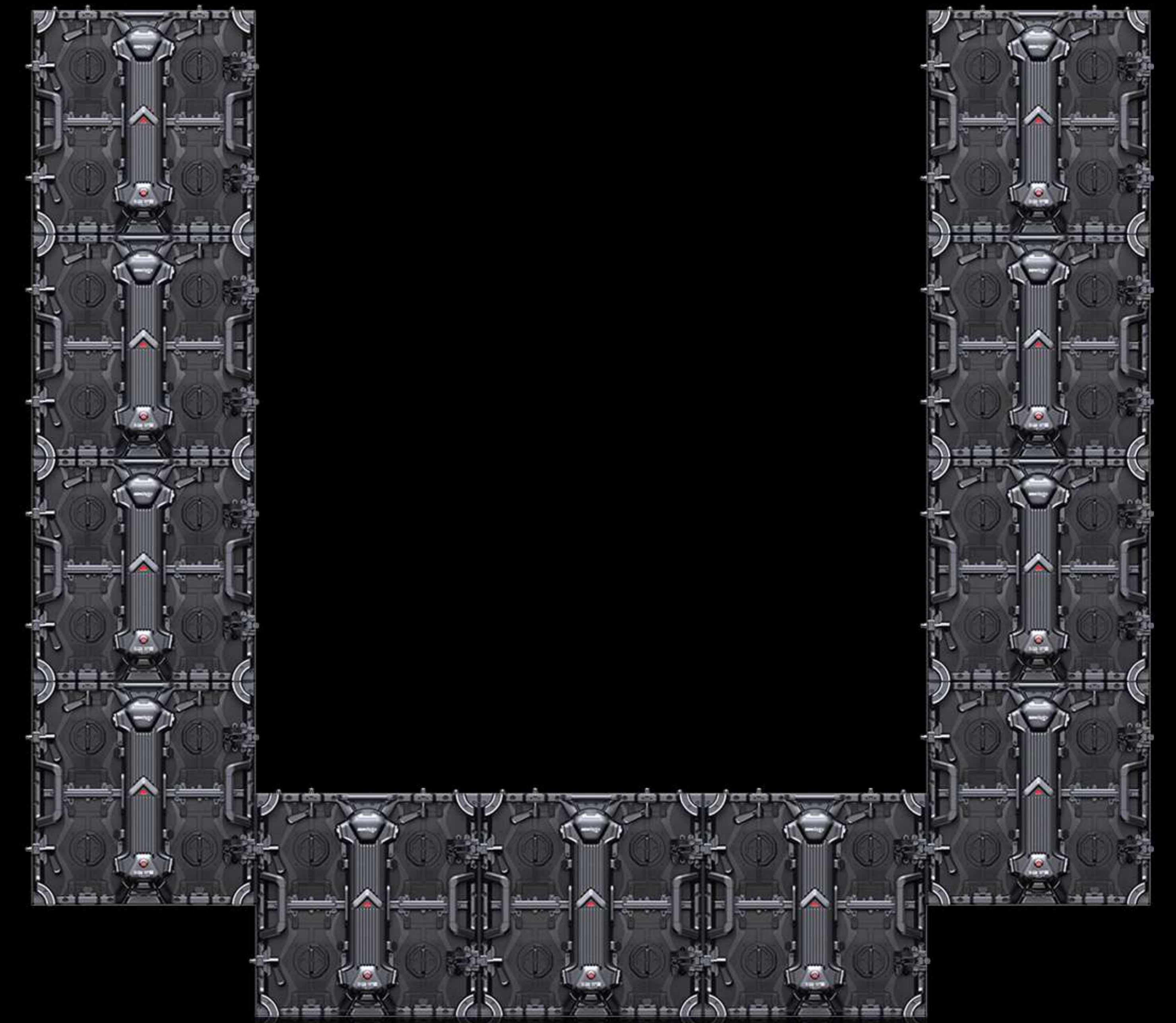
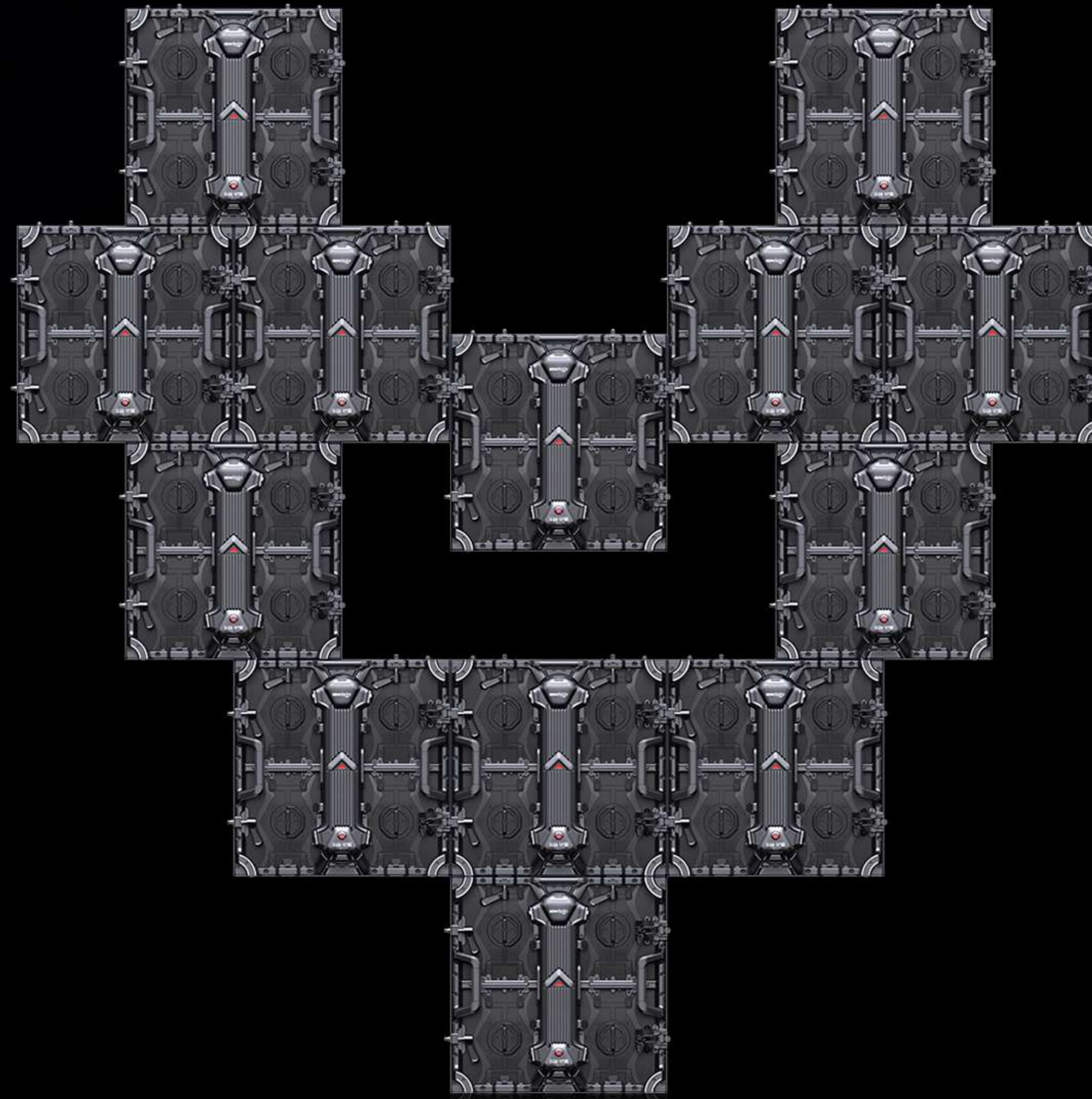
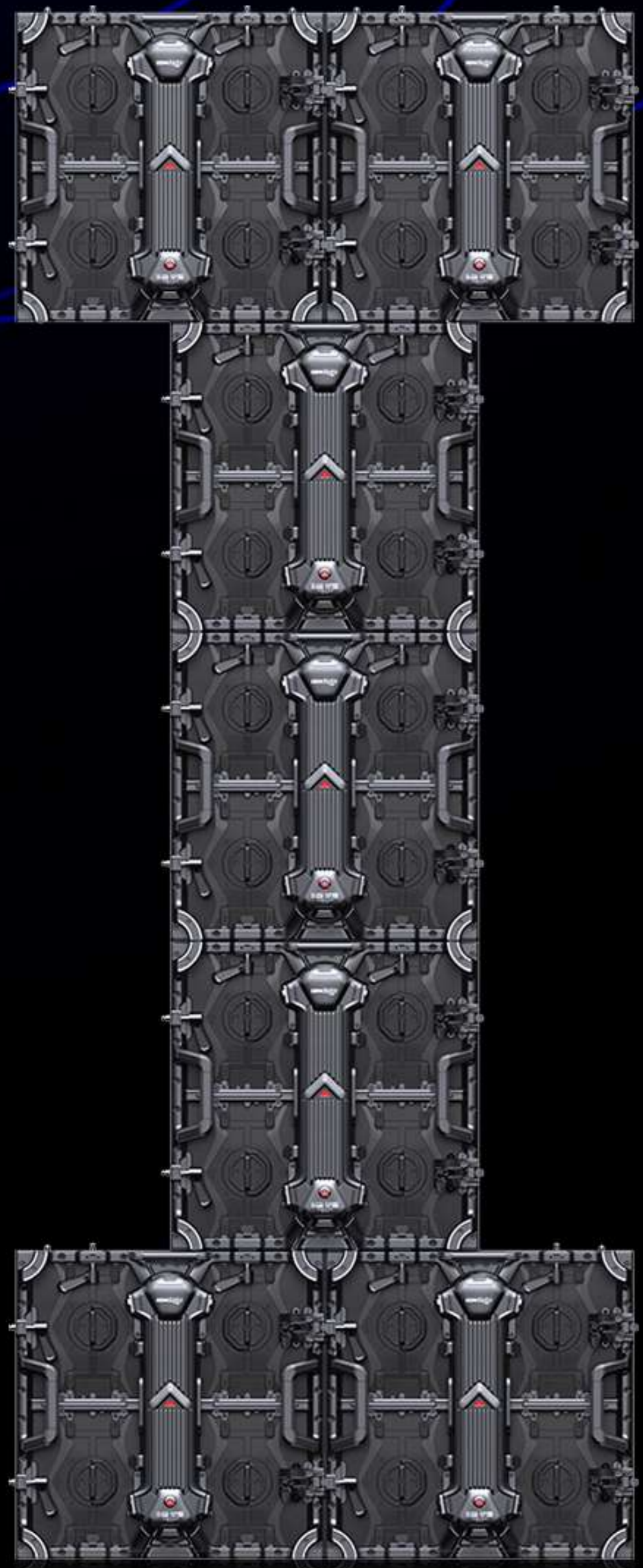
IP65



WATERPROOF

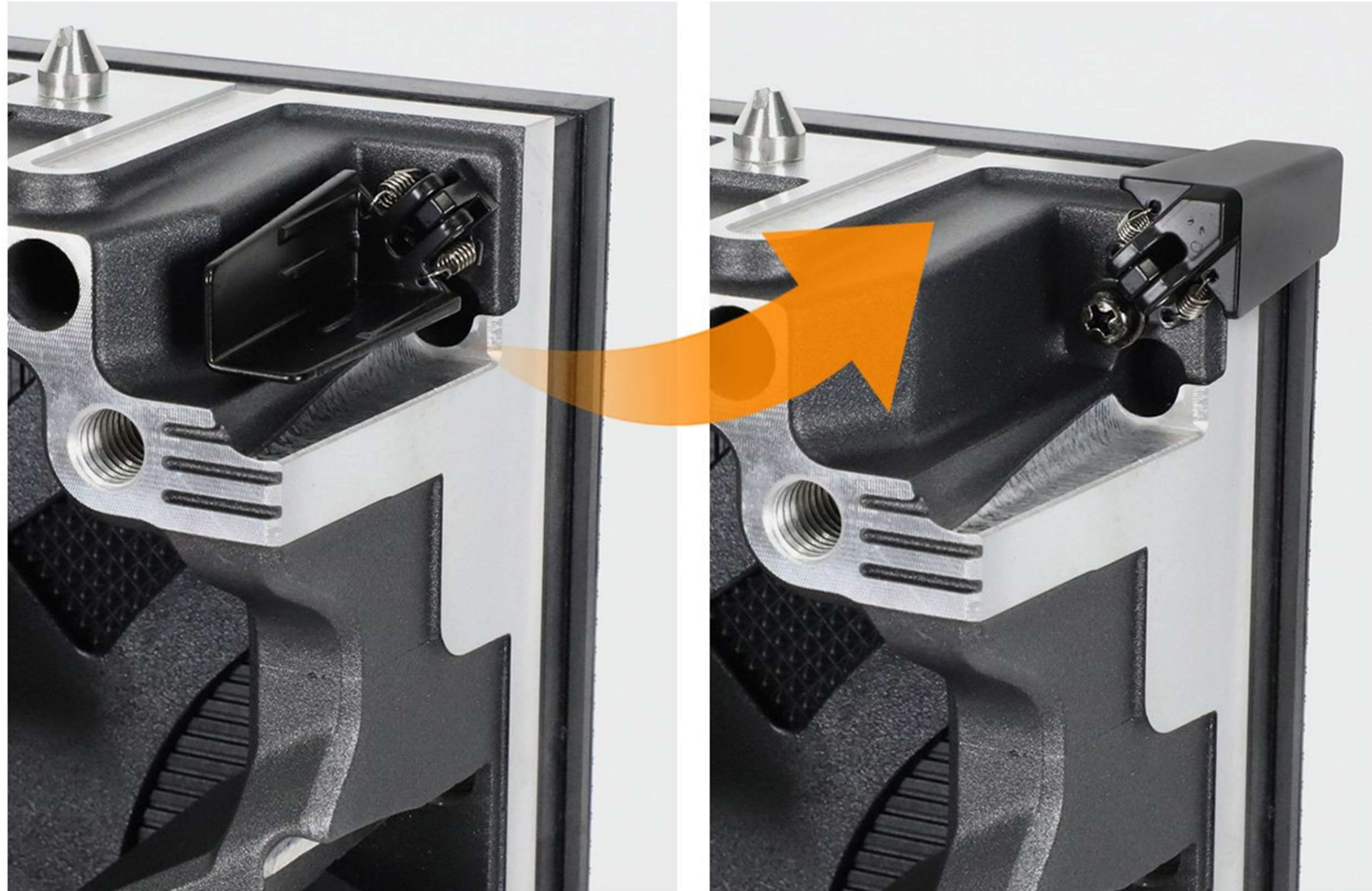
CREATIVE INSTALLATION

Can realize dislocation splicing to easily build various creative shapes



CORNER PROTECTION DESIGN

Rental LED display is designed with four corner guards to effectively prevent damage to the LED during transportation, installation, operation and disassembly.

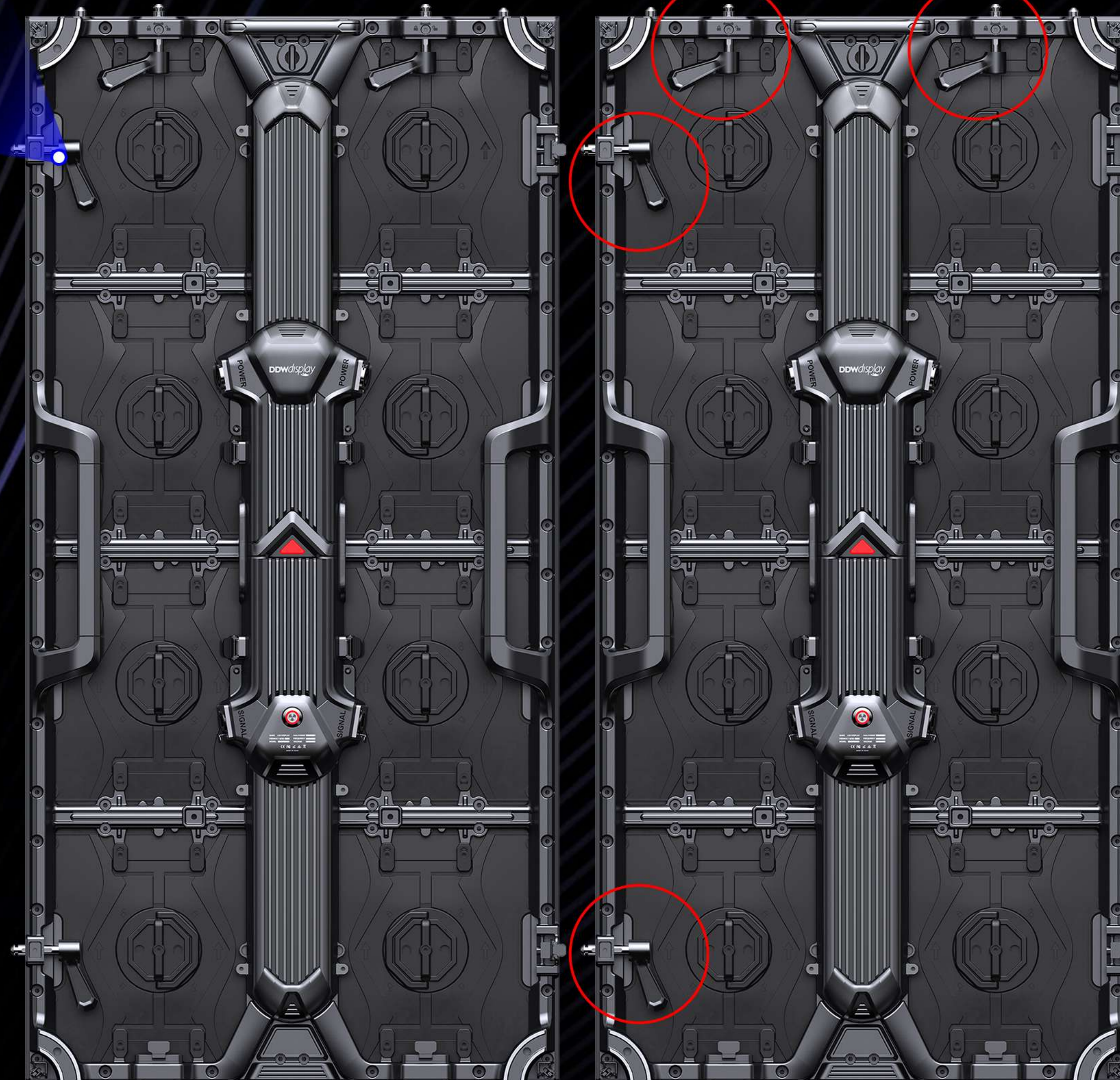


QUICK INSTALL

The cabinet is equipped with four quick locks to support single-person simple and fast installation



Quick lock





6in1

FLIGHT CASE

Cabinet size	500x500mm
Flight case size	879x714x510mm
Package	8in1
Gross weigh	85kg



8in1

DDWaispdy

Cabinet size	500x1000mm
Flight case size	879x714x510mm
Package	6in1
Gross weigh	113kg

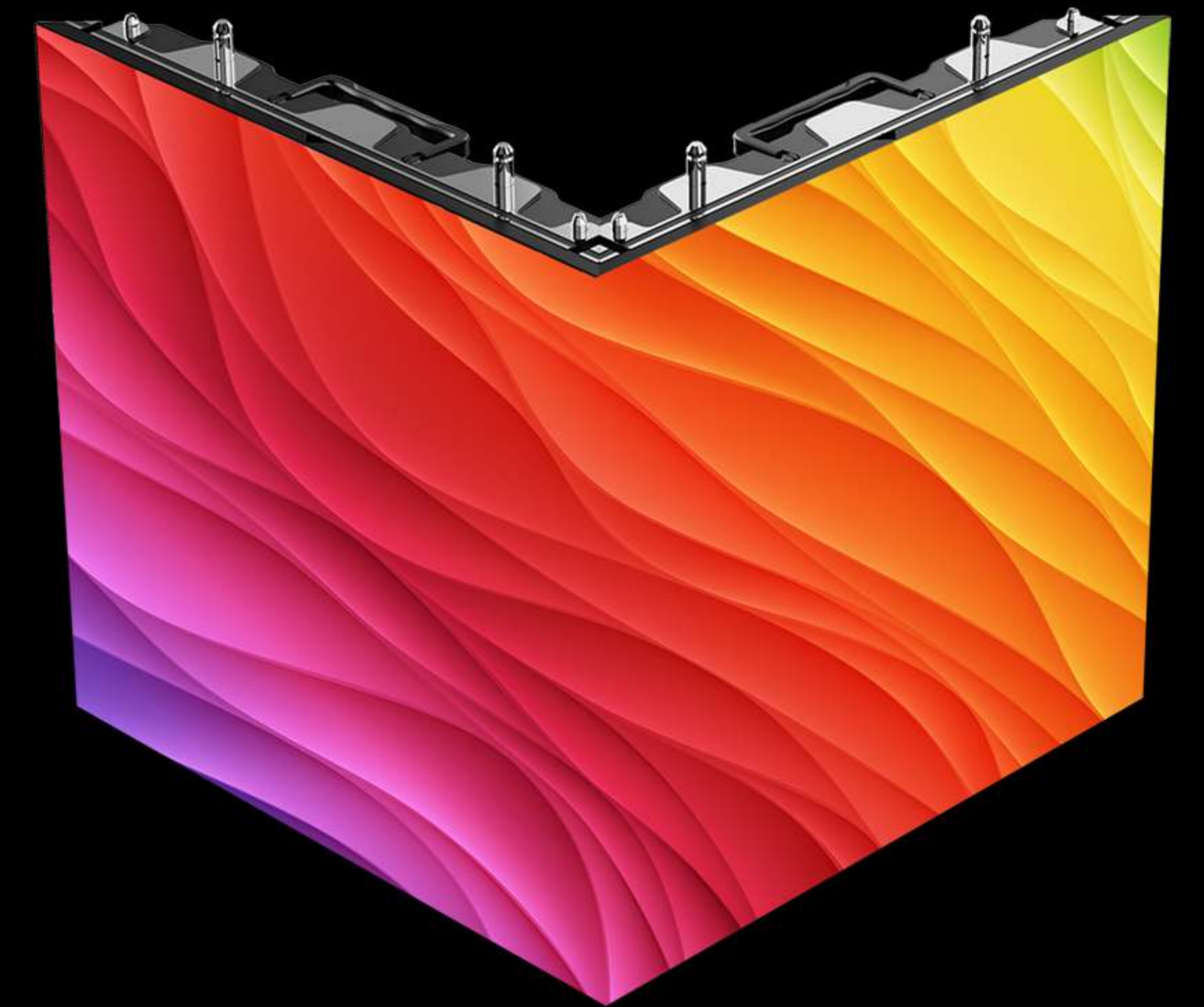
TYPICAL INSTALLATIONS



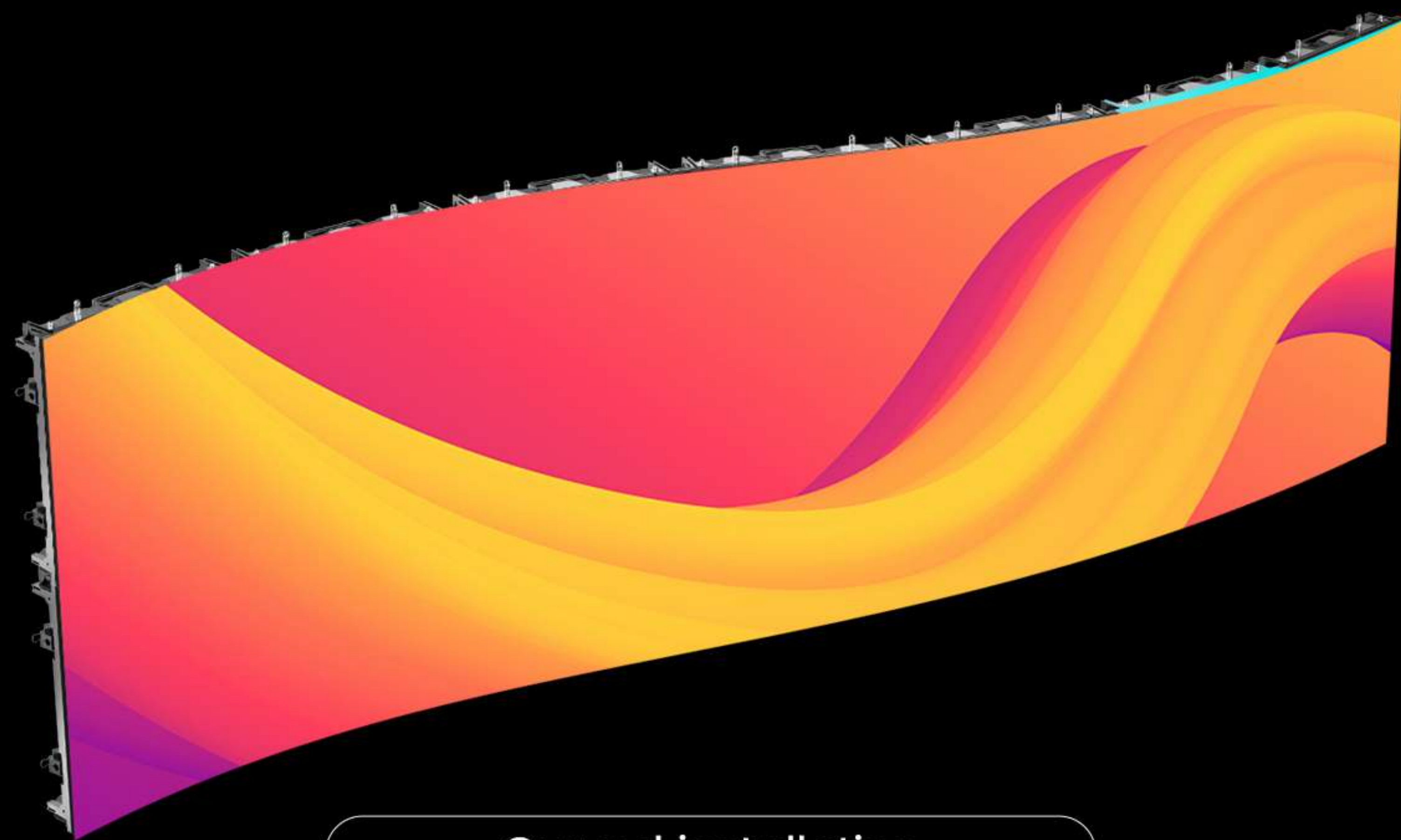
Stand bracket installation



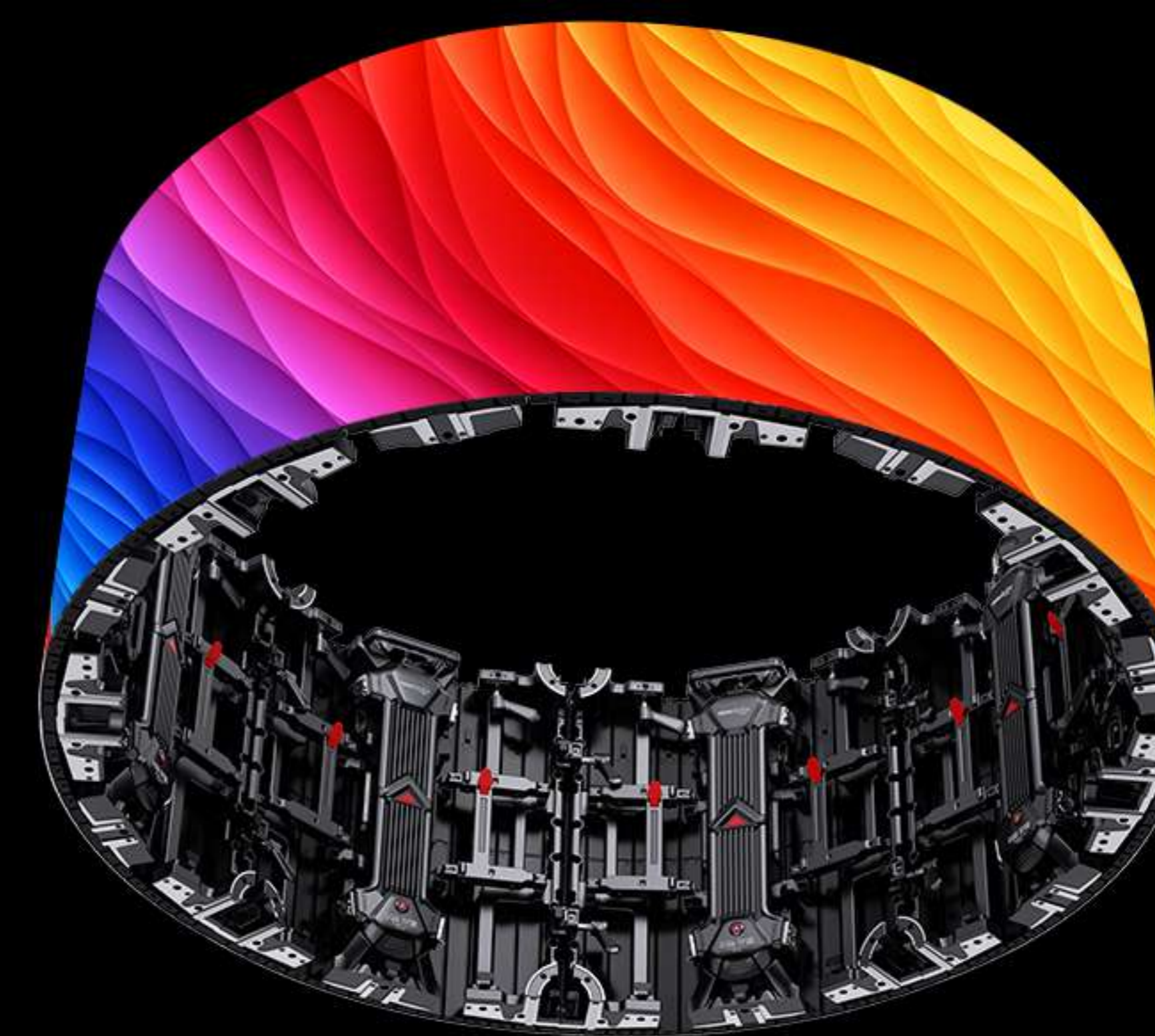
Hanging installation



Right angle installation



Curved installation

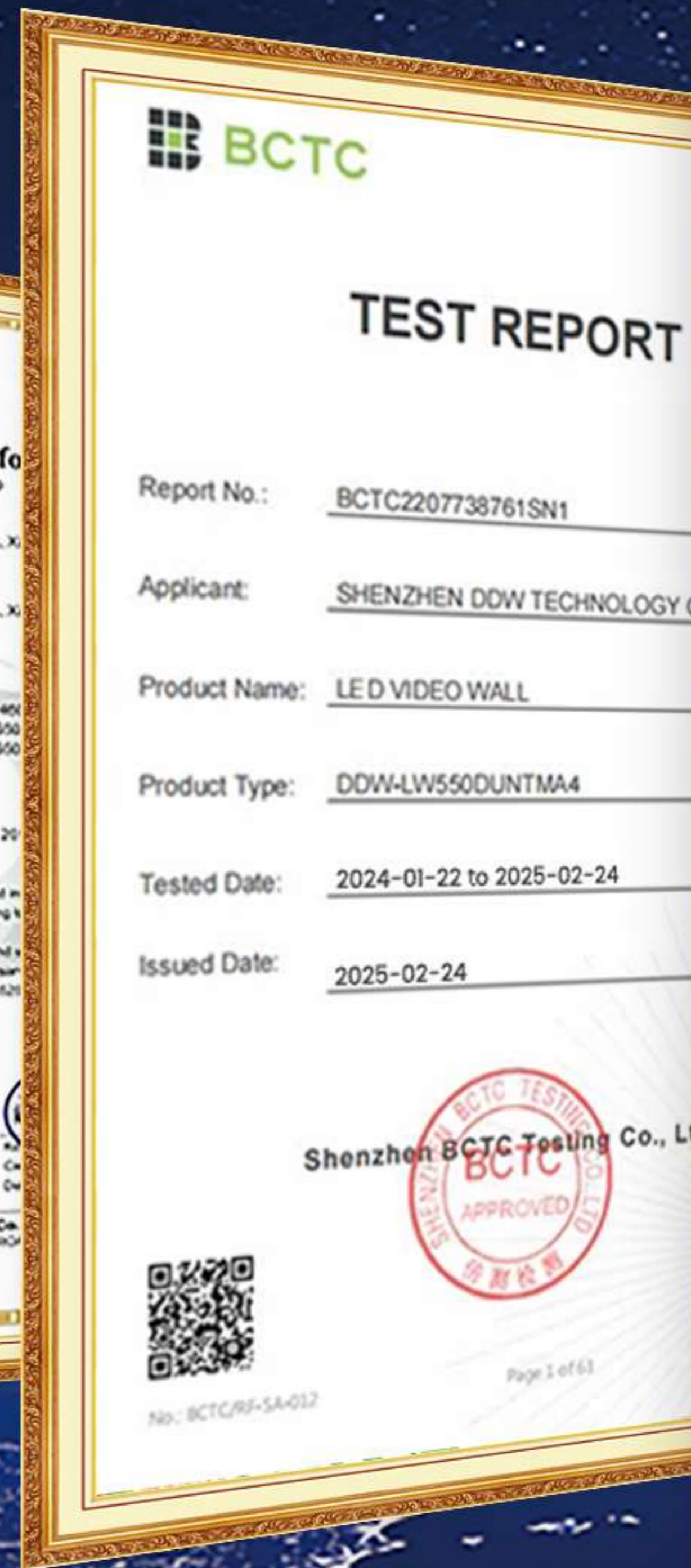


Inner arc/outer arc installation

APPLICATIONS



CERTIFICATE



5 YEARS WARRANTY

Common warranty in LED field is 2 years, ours is 5
Longer warranty periods, better after-sale services
worry-free user experience



OEM&ODM

1000+
Projects

5 days
Fast delivery



Door to door

3D

Installation video



Sample support



CONTACT US

SHENZHEN DDW TECHNOLOGY CO.,LTD



86 755 23229716



86 134 17558100



www.ddw.net



info@ddw.net



2F Building 8, YiLisheng Industry Park, Fuyong
Baoan District, Shenzhen, 518103