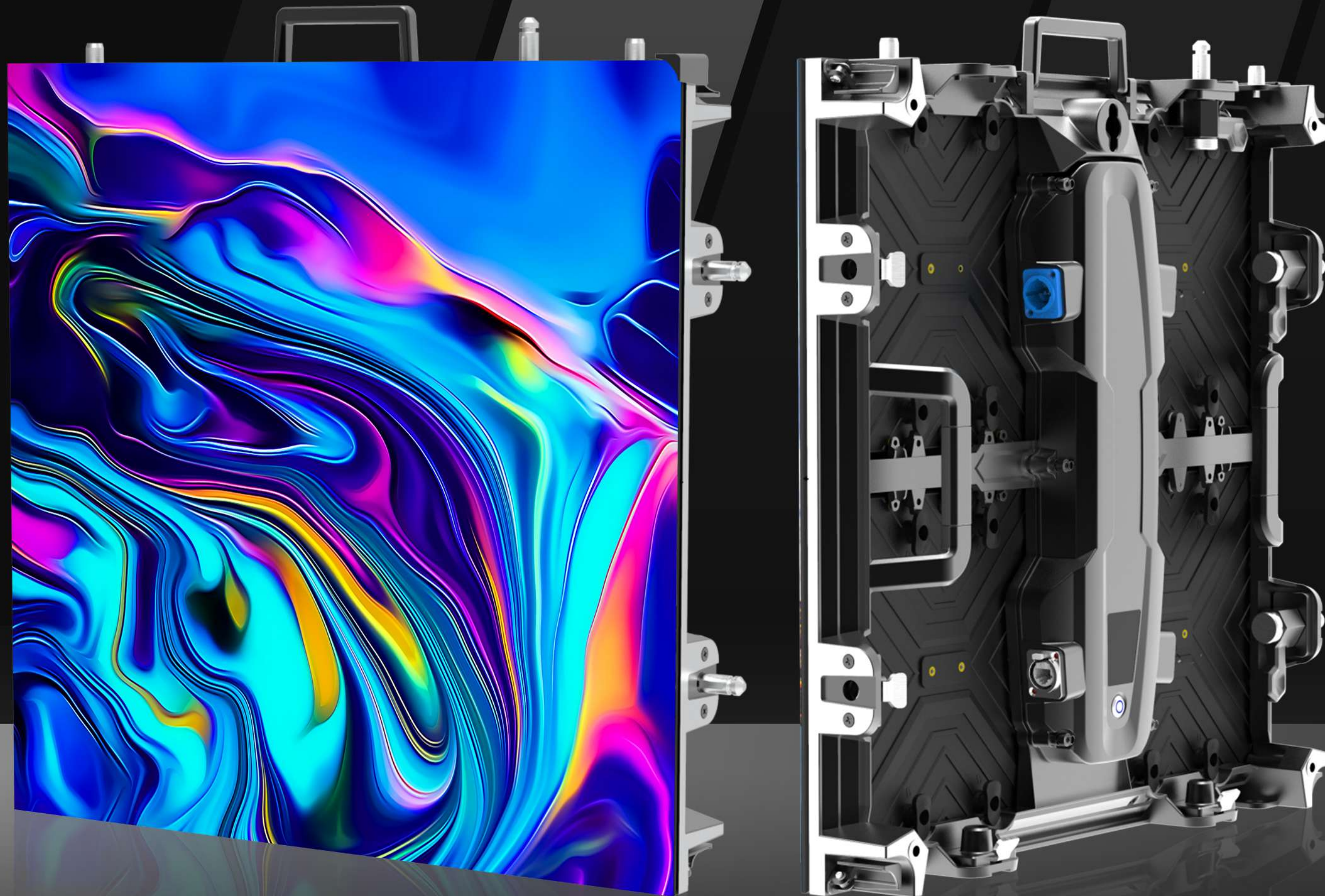
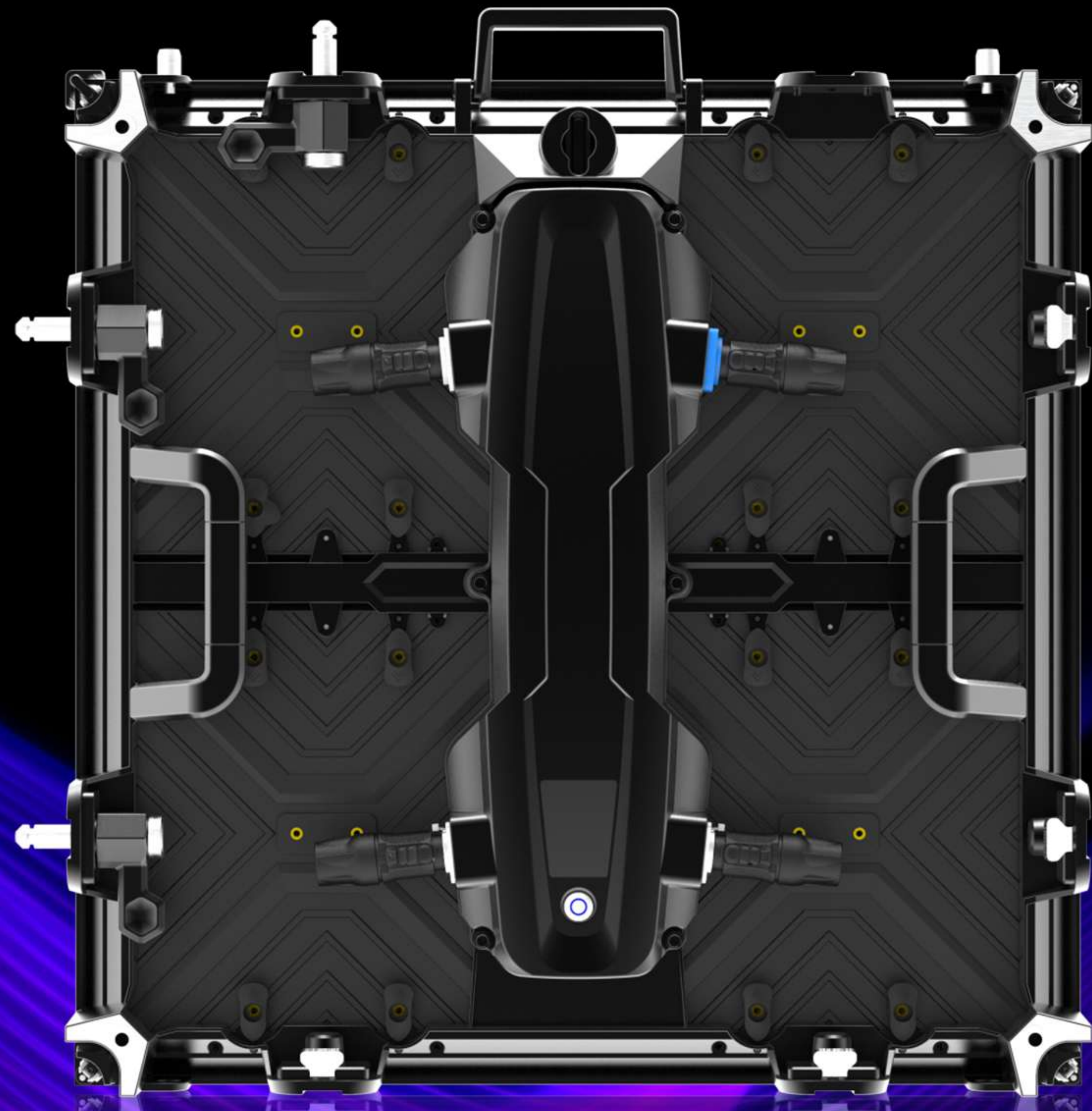


RENTAL LED SCREEN

RC SERIES





RC SERIES

Pixel Pitch: P1.95 P2.5 P2.604 P2.97 P3.91(indoor)
P2.604 P2.976 P3.91(outdoor)

Cabinet size:500*500mm

Module size:250*250mm

Cabinet Weight:6.5~7kg

Brightness:600-800cd/m²(indoor) 4500-5000cd/m²(outdoor)

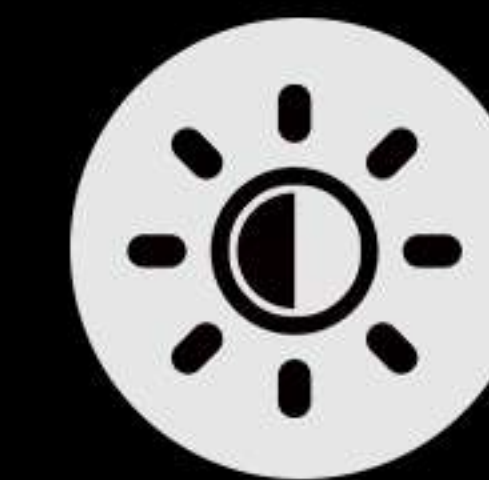
Refresh rate:7680Hz



IP65 waterproof



Curved & Right angle
available



600-5000nits high brightness



Front Rear maintenance

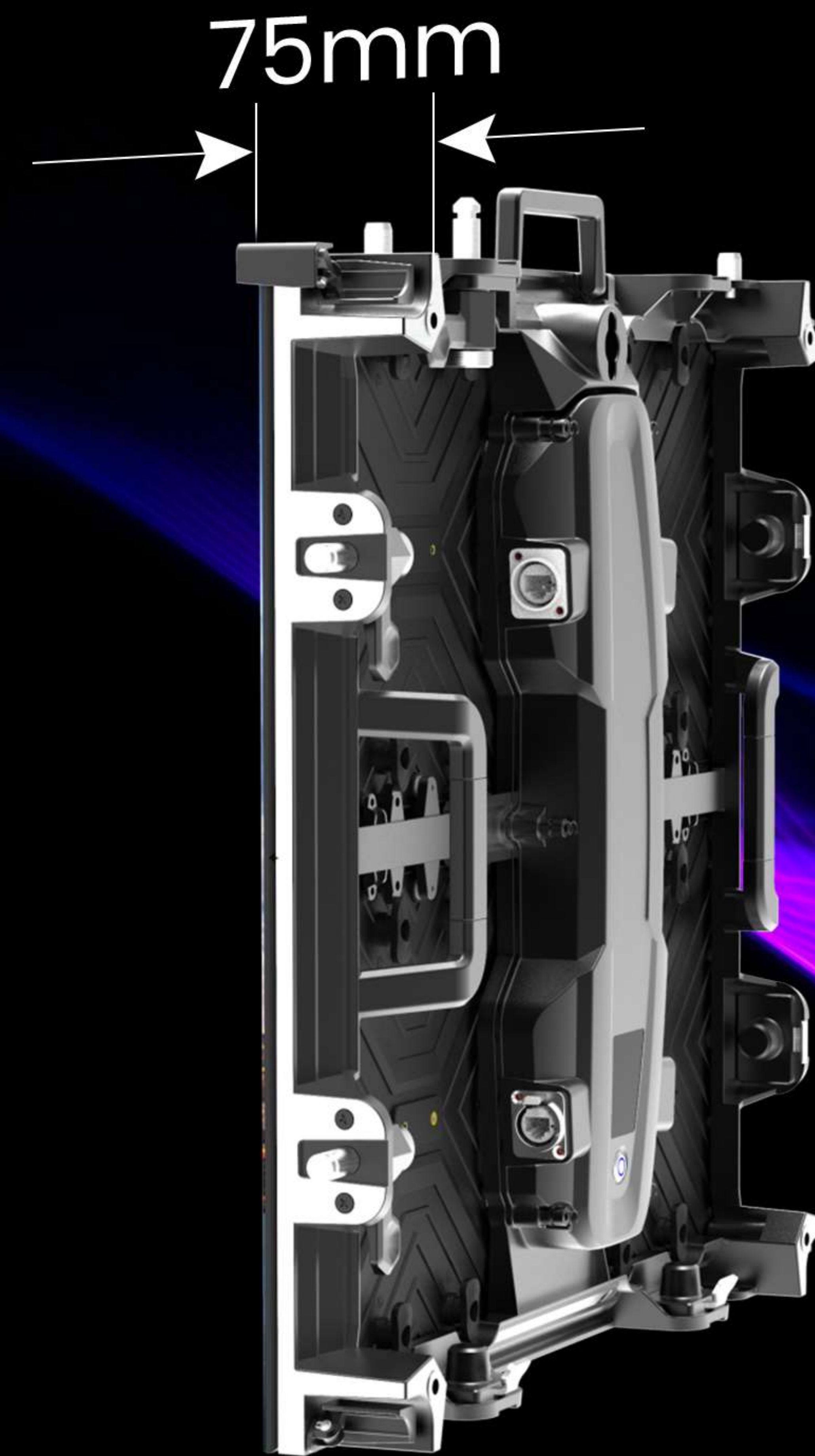
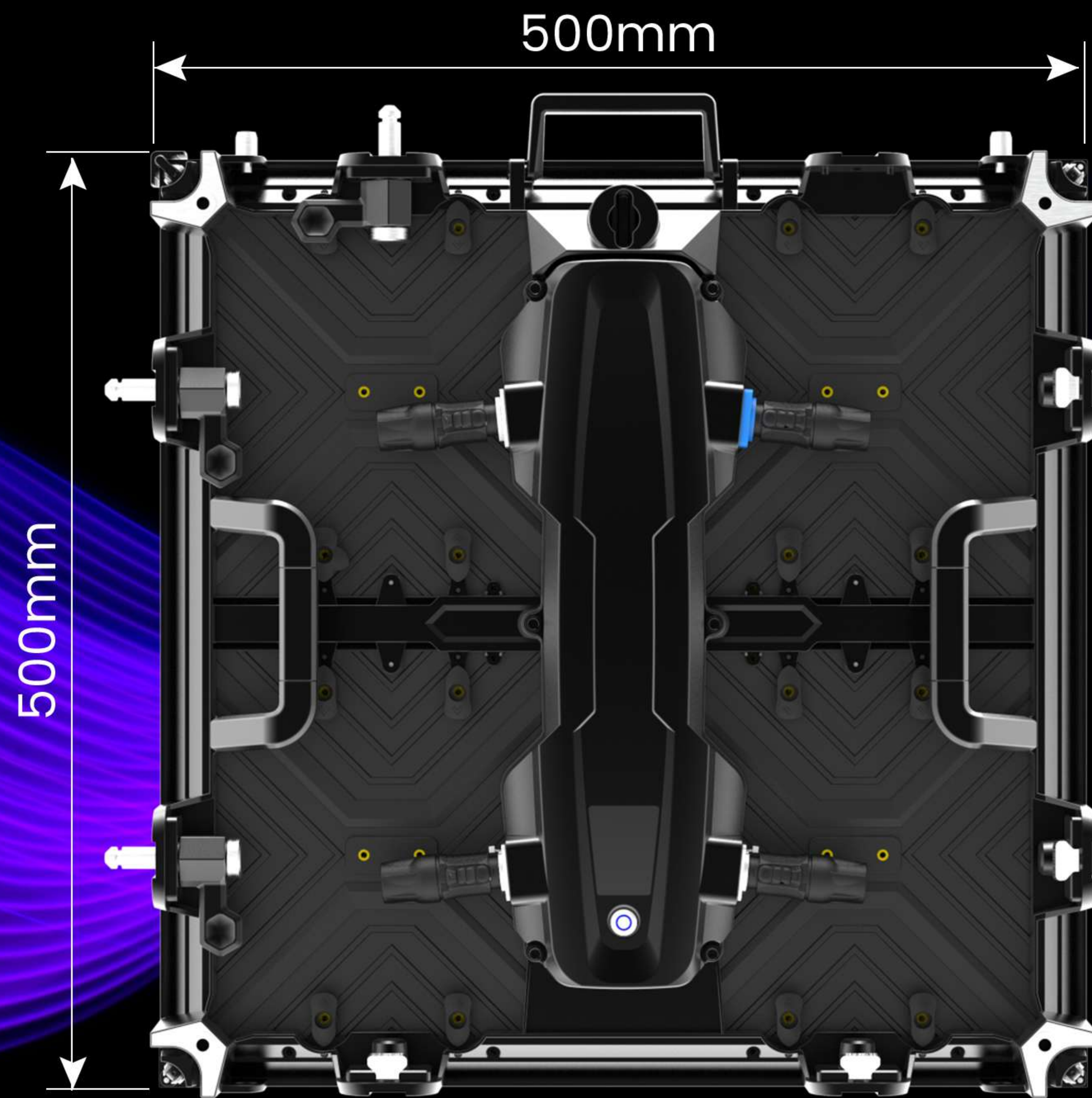


High end design



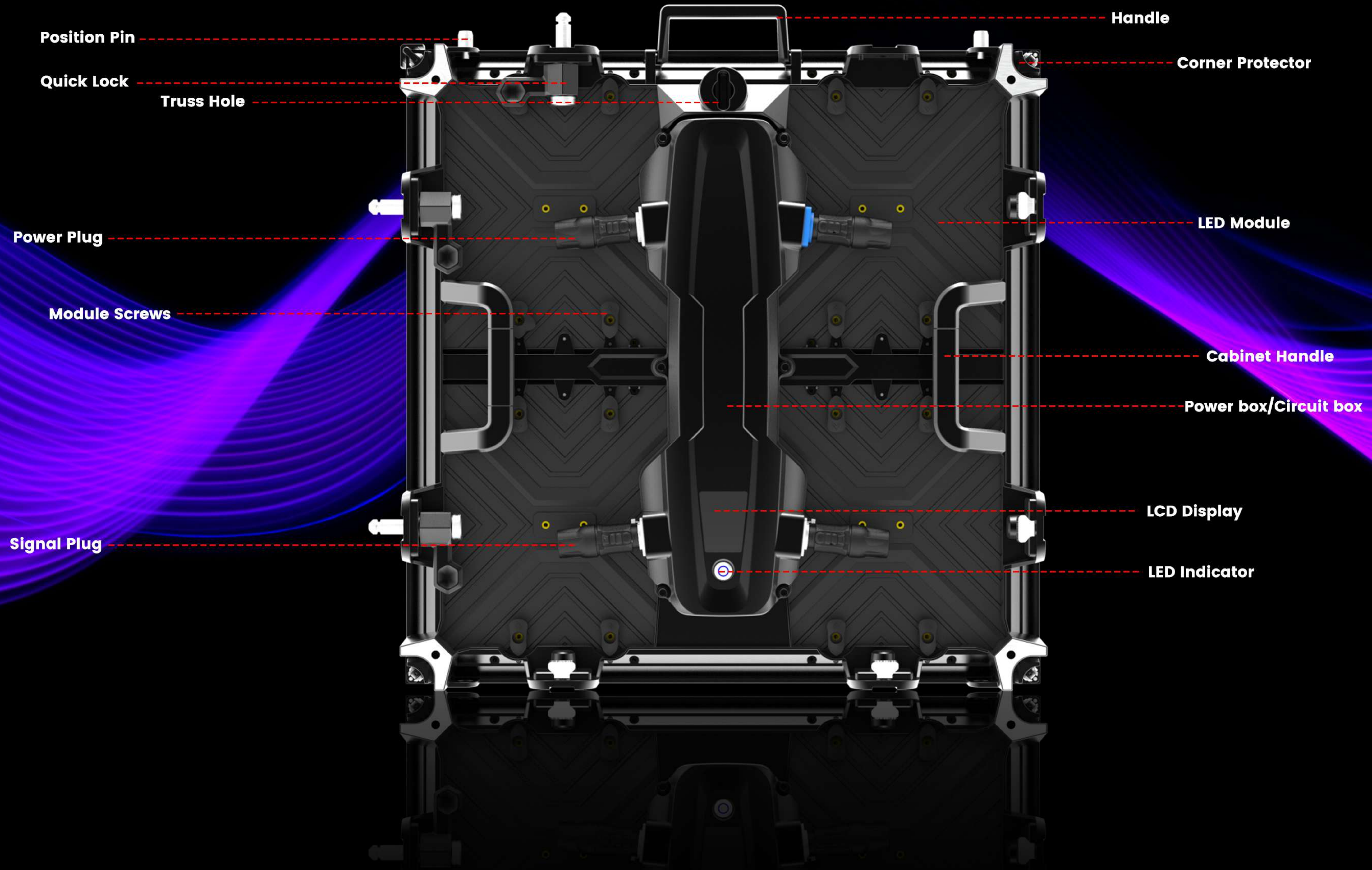
Dual backup signal power supply
(Optional)

DIMENSIONS



CABINET DIAGRAM

Excellent product came in all details from cabinet handle. cabinet fixed slot, fast lock magnet adsorption module, module installation knob, Power & signal connector detachable power boxing, and more



IP65 WATERPROOF

Outdoor LED display supports IP65 dustproof and waterproof, it can resist severe weather conditions during outdoor activities. And die-cast aluminum is corrosion resistant.

IP65

WATERPROOF



FRONT AND REAR MAINTENANCE

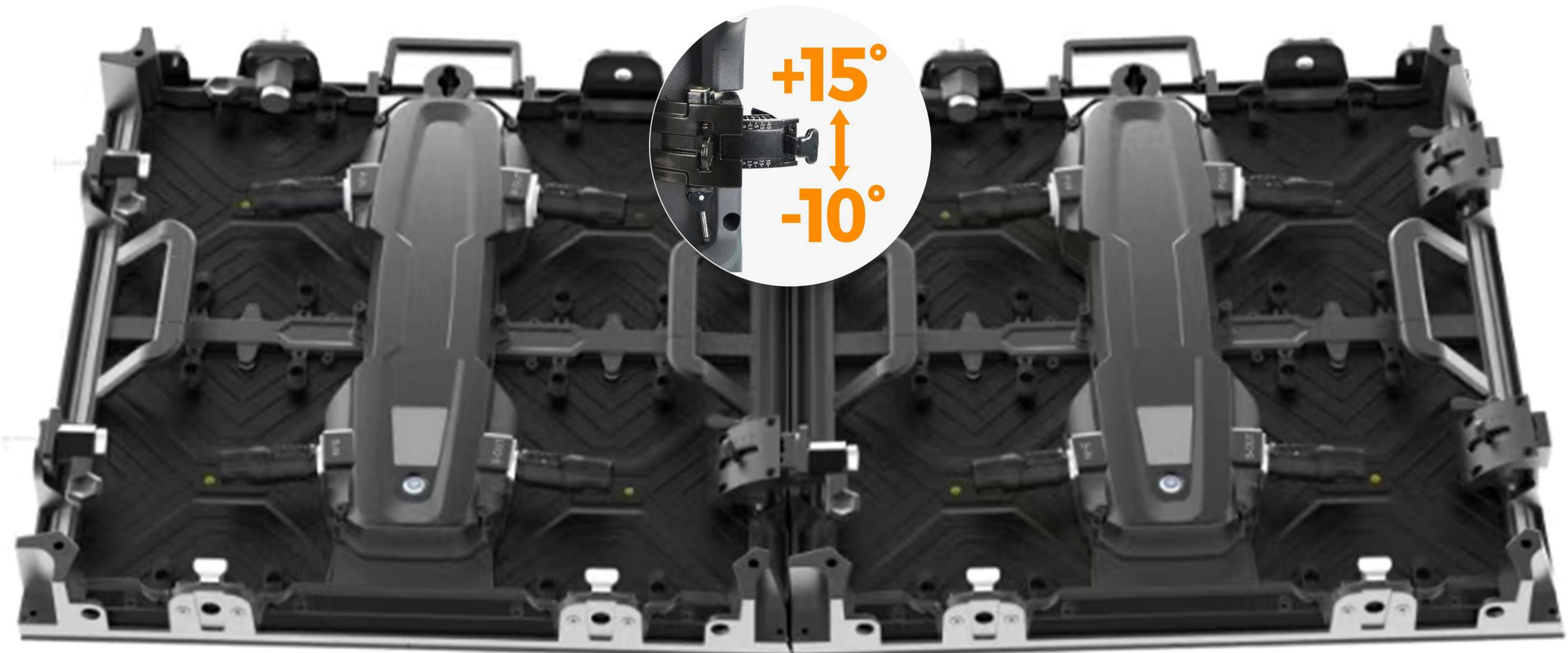
Strong magnetic design with handle screws, easy to assemble and disassemble for both indoor and outdoor conditions.

LED suction cup



CURVED SHAPE

Exclusive customized buckle lock, can help design various curved shapes.



Arc lock adjustment: -10° 、 -7.5° 、 -5° 、 -2.5° 、 0° 、 2.5° 、 5° 、 7.5° 、 15°

HIGH REFRESH RATE WITHOUT MOIRÉ

The high refresh rate and high contrast of 7680 Hz and the moiré-free high-definition display bring a visual feast to the audience.

 **3840Hz**
High refresh rate

 **10000:1**
High contrast

 **16bit**
High grayscale

 **1/16s**
Scan method



HIGH BRIGHTNESS



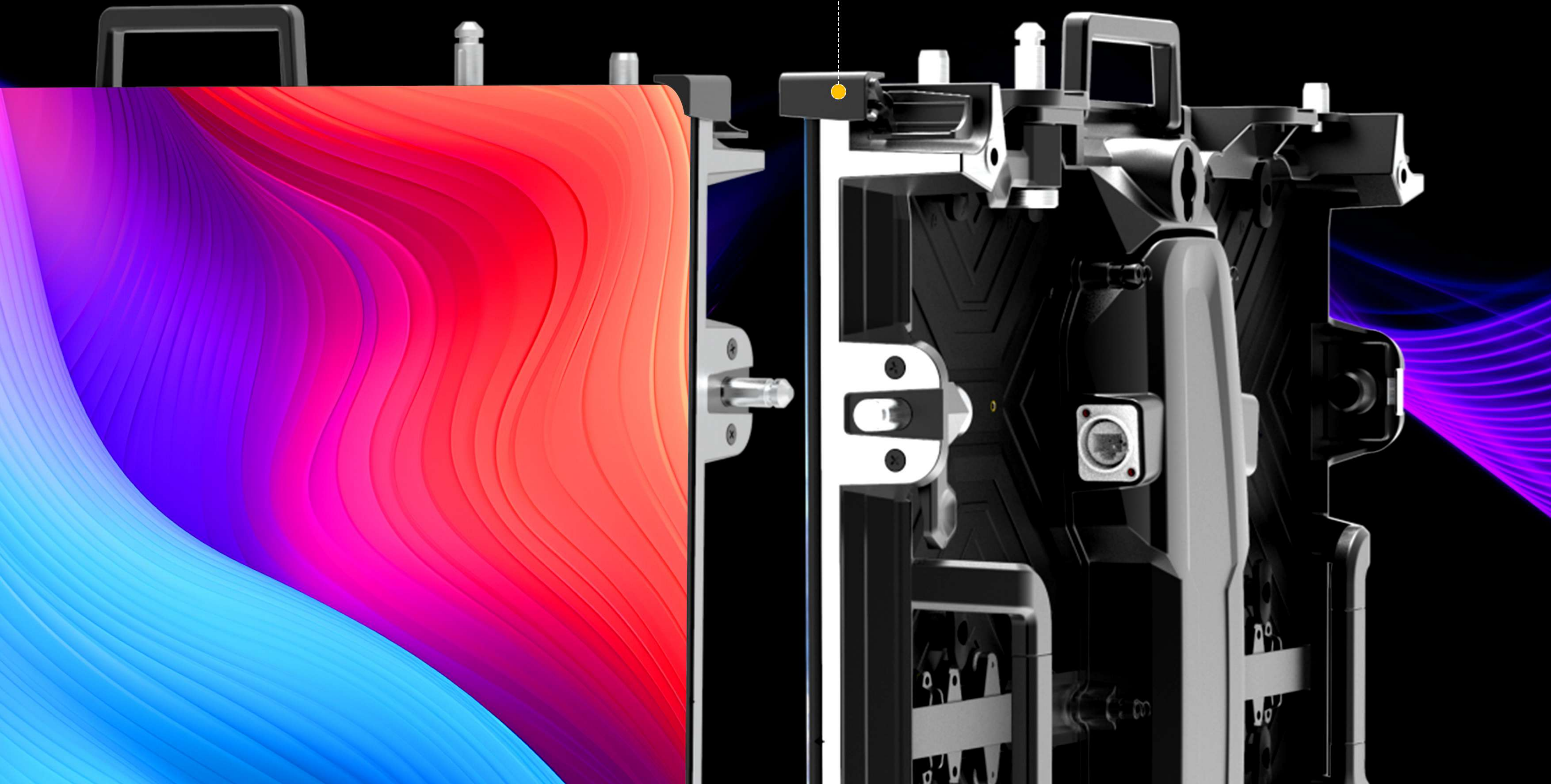
Indoor brightness: **600-800cd/m²**

Outdoor brightness: **4500-5000cd/m²**

CORNER PROTECTION DESIGN

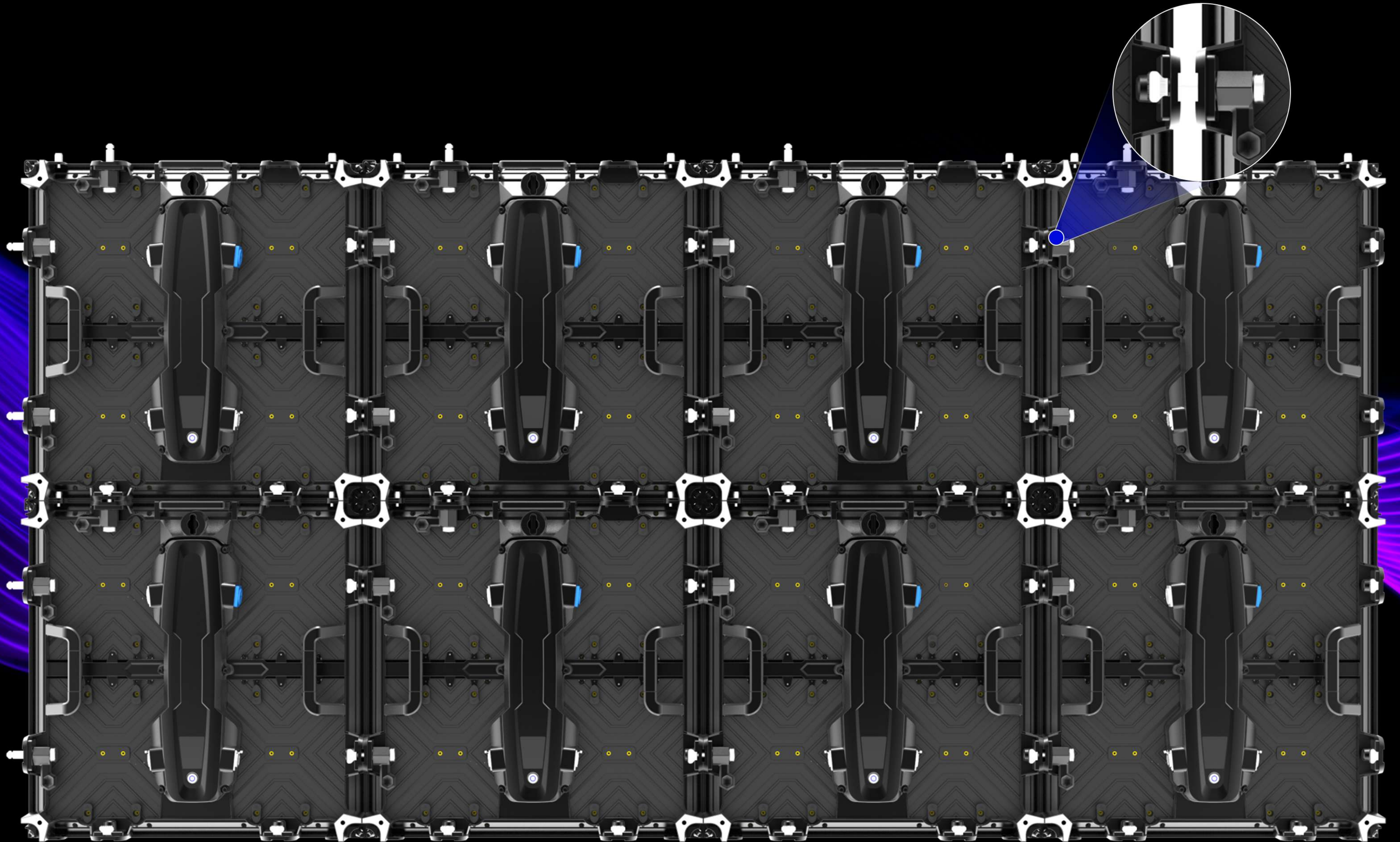
Rental LED display is designed with four corner guards to effectively prevent damage to the LED during transportation, installation, operation and disassembly.

Corner Protector



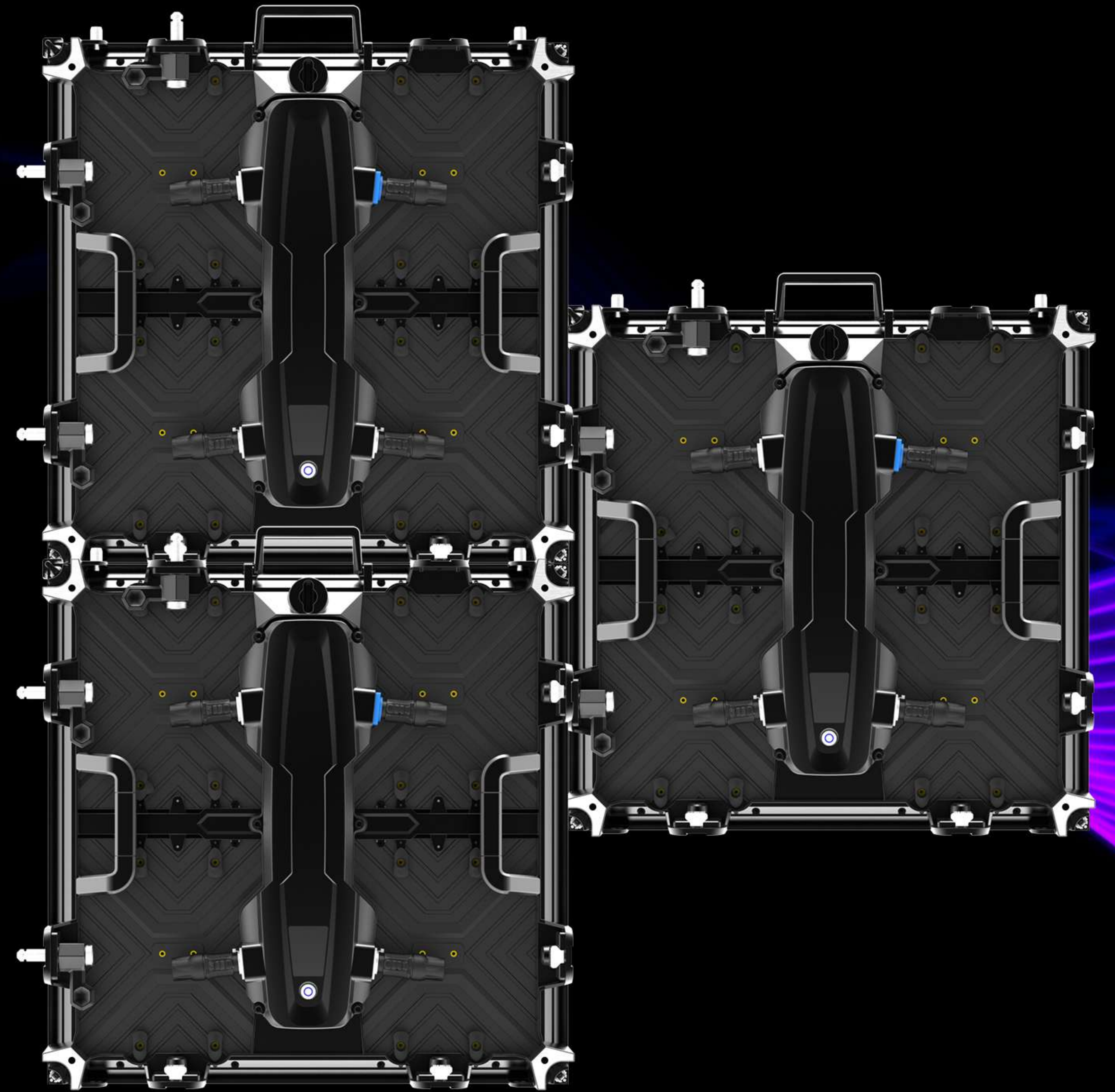
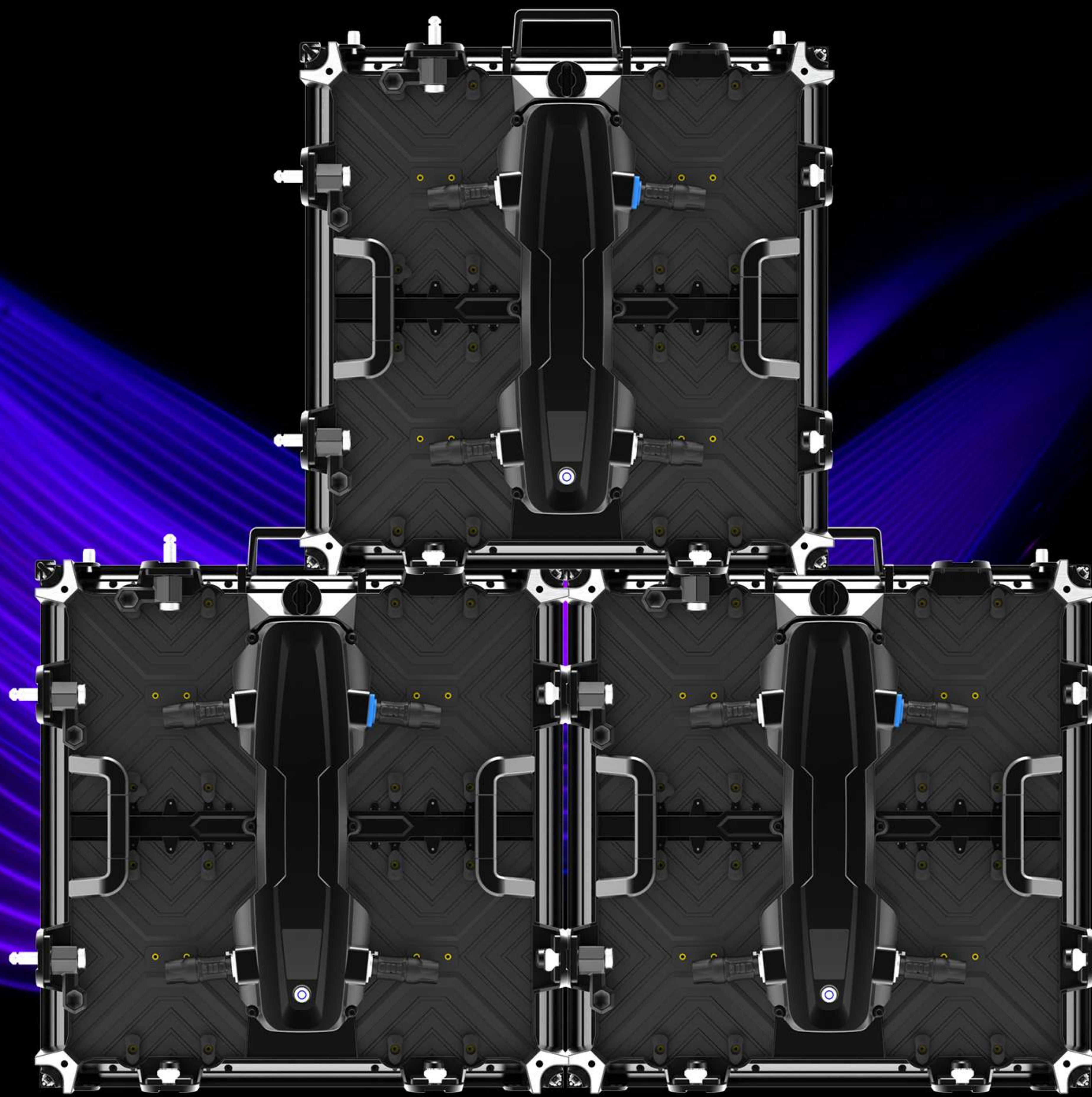
EASY AND FAST INSTALLATION

Quick lock design, easy and fast installation, seamless splicing



CREATIVE INSTALLATION

Can easily build right angles, arcs, and other creative shapes.





FLIGHT CASE

Cabinet size	500x500mm
Flight case size	879x714x510mm
Package	8in1
Gross weigh	85kg

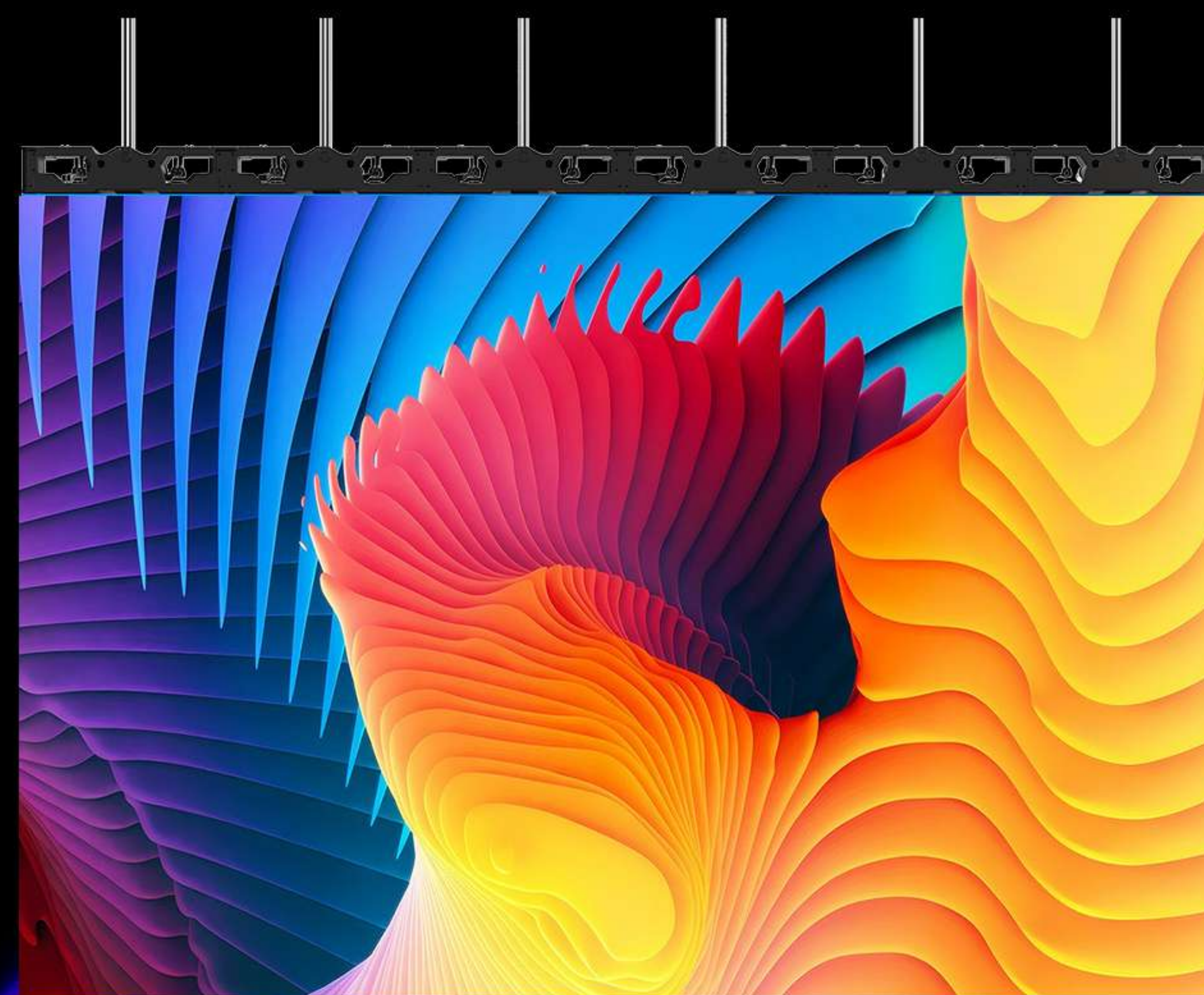
APPLICATIONS



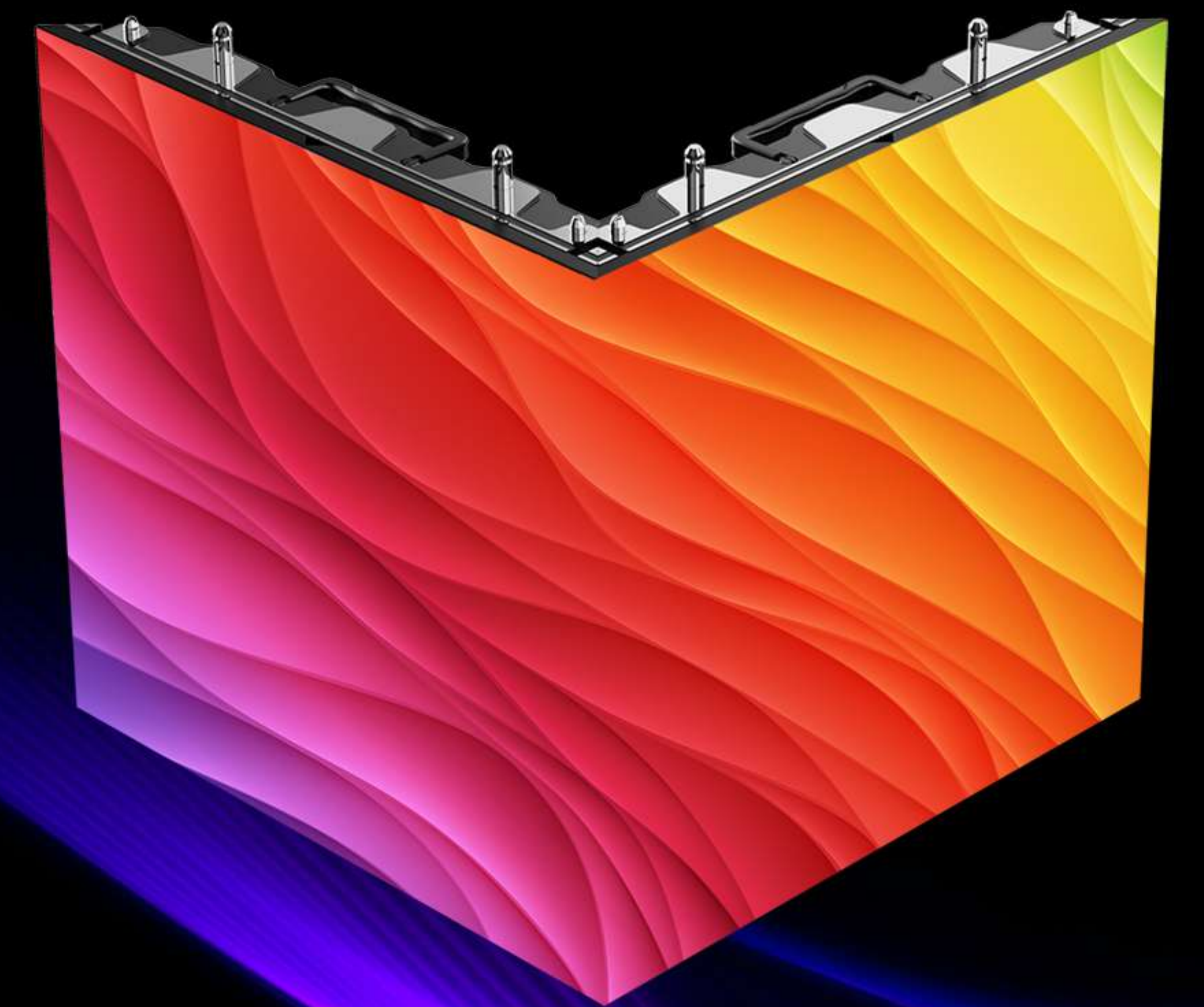
TYPICAL INSTALLATIONS



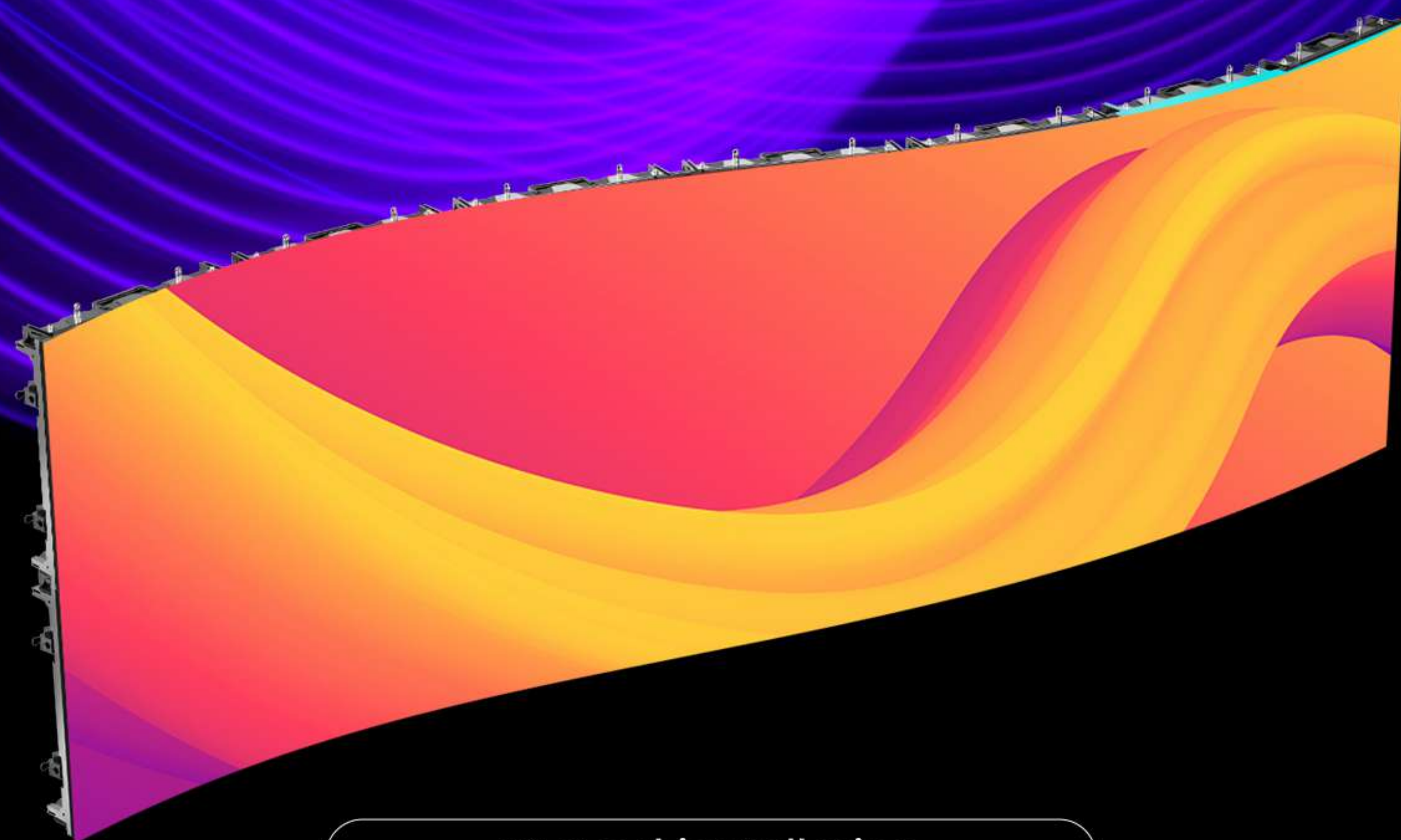
Stand bracket installation



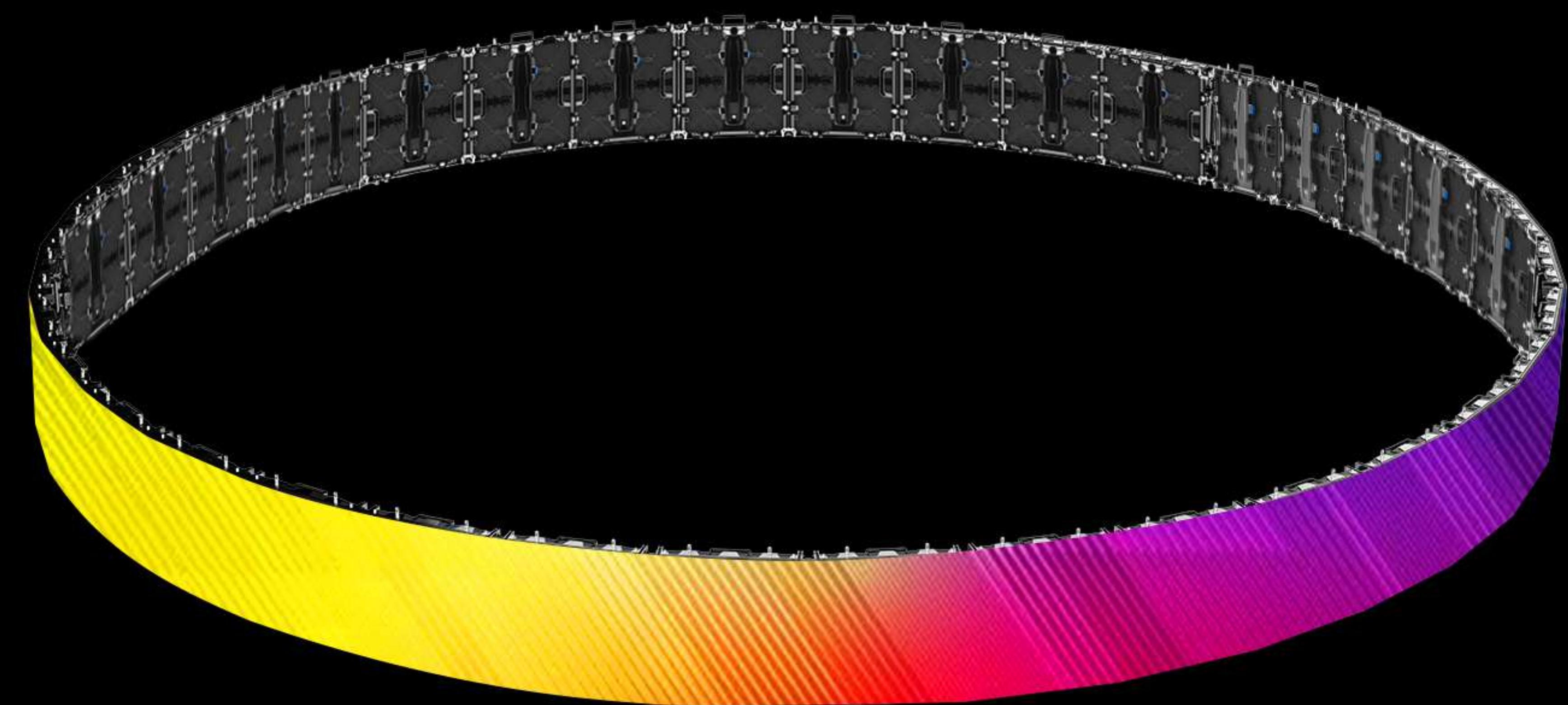
Hanging installation



Right angle installation



Curved installation



Inner arc/outer arc installation

SPECIFICATIONS

Specs \ Applications	INDOOR 500*500(mm)				OUTDOOR 500*500(mm)		
Pixel Pitch	P1.95	P2.5	P2.976	P3.91	P2.604	P2.976	P3.91
LED Type	SMD1515	SMD1515	SMD1515	SMD2121	SMD1415	SMD1415	SMD1921
Physical Density (Dot/m ²)	262144	160000	112896	65536	147456	112896	65400
Module Resolution	128x128	100x100	84x84	64x64	96x96	84x84	64x64
Module Size (WxH)	250x250mm				250x250mm		
Panel Dimension (WxHxD)	500x500x75mm				500x500x75mm		
Panel Resolution (Dot/m ²)	256x256	200x200	192x192	128x128	192x192	168x168	128x128
Module Qty per Cabinet	2x2				2x2		
Panel Weight	6.5kg				7kg		
Grey Level	14-16bit				14-16bit		
Maintenance Mode	Front/ Rear Maintenance				Front/ Rear Maintenance		
Cabinet Frame	Die-casting Aluminum				Die-casting Aluminum		
Brightness	600-800 cd/m ²				4500-5000cd/m ²		
Viewing Angle	160°/160°				160°/160°		
Refresh Rate	3840/7680Hz				3840/7680Hz		
Contrast Ratio	10000:1				10000:1		
Frame Frequency	50/60Hz				50/60Hz		
Drving Mode	1/32 scan	1/25 scan	1/24 scan	1/16scan	1/24 scan	1/21 scan	1/16 scan
Protection Degree	IP31				IP65		
Maximum Power Consumption	800w/m ²				800w/m ²		
Average Power Consumption	200-300w/m ²				200-300w/m ²		

CERTIFICATE













QMS CERTIFICATE OF REGISTRATION

Registration No.: 12824Q21369R0S

This is to certify that the Quality Management System of
SHENZHEN DDW TECHNOLOGY CO.,LTD
 Unified social credit code:91440300055133476P
 201, Building 8, Yilisheng Industrial Park, No. 602 Fengtang Avenue, Tangwei Community,
 Fuhai Street, Bao'an District, Shenzhen City, Guangdong Province

Has been audited to conform to the following Quality Management System Standard:
GB/T19001-2016/ISO9001:2015
 For the whole process of
Production of electronic products (LED DISPLAY, LCD VIDEO WALL, DIGITAL SIGNAGE) (export only)

DATE OF ISSUE: 10-10-2024 DATE OF SUPERVISION: 10-10-2024 VALID UNTIL: 10-09-2027

Certified organizations within the validity period of the certificate surveillance audit at least once a year
 This certificate is valid until 09-27-2025
 The certificate information is available in the certification and accreditation administration of the P.R.C.'s official website: www.cnca.gov.cn



No.21, No.4 Yard, Yuetanbeixiaoje Street, Xicheng District, Beijing, 010-68017408

BCTC

TEST REPORT

Report No.: BCTC2207738761SN1

Applicant: SHENZHEN DDW TECHNOLOGY CO., LTD

Product Name: LED VIDEO WALL

Product Type: DDW-LW550DUNTMA4

Tested Date: 2024-01-22 to 2025-02-24

Issued Date: 2025-02-24

Shenzhen BCTC Testing Co., Ltd

No.: BCTC/RF-SA-012

Page 1 of 63

BKC

Certificate of Compliance

Certificate No.: BKC-160901297

Applicant: Shenzhen DDW Technology Co., Ltd
 3/F, No.5, Intelligent Creation Park, Yaluan, Shajing Street, Bao'an District, Shenzhen, China 518104

Manufacturer: Shenzhen DDW Technology Co., Ltd
 3/F, No.5, Intelligent Creation Park, Yaluan, Shajing Street, Bao'an District, Shenzhen, China 518104

Product: LED full color display

RoHS

Shenzhen BKC Testing Co., Ltd.
 6/F, Building 2, Zhongsheng Industrial Park, Nanwan Street, Longgang District, Shenzhen, Guangdong, China. Tel:400-059-0760 0755-33170405
 Email:bkct@bkc-lab.com. Certificate Search: <http://www.bkc-lab.com>

TUV

of Conformity

of Conformity

Shenzhen BCTC Testing Co., Ltd

5 YEARS WARRANTY

Common warranty in LED field is 2 years, ours is 5
Longer warranty periods, better after-sale services
worry-free user experience



OEM&ODM

1000+
Projects

5 days
Fast delivery



Door to door

3D
Installation video



Sample support



CONTACT US

SHENZHEN DDW TECHNOLOGY CO.,LTD



0086-755-23229716



0086-134-17558100



www.ddw.net



info@ddw.net



2F Building 8, YiLisheng Industry Park, Fuyong
Baoan District, Shenzhen,518103